

CIRC ABS Round Wall Pack 20w/30w



WPR30Q

Housing:

Round White ABS Housing with Hinged Front Frame and 4 Clips with Tamper Resistant Screws. Low Profile Opal Polycarbonate Lens for Evenly Diffused Light.

Listing & Ratings:

CSA: Listed for Wet Locations, Wall and Ceiling Mount. ANSI/UL 1598, 8750
IP65 Sealed LED Compartment.

Mounting:

Surface Ceiling or Wall Mount

LED Performance:

Delivered Lumens: 1,869 or 2,633
CCT: 4000K
50,000 Hours
Microwave Sensor ready

Wattage:

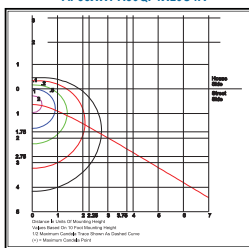
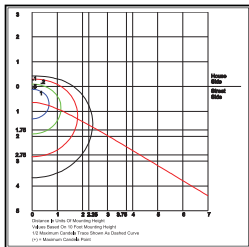
System: 20w or 30w

Driver:

Electronic Driver, 120-277V, 50/60Hz; Less Than 20% THD and PF>0.90. Standard Internal Surge Protection 2kV. 0-10V Dimming Standard for a Dimming Range of 100% to 10%; Dimming Source Current is 150 Microamps.

Warranty:

5-Year Warranty for -40°C to +40°C Environment.

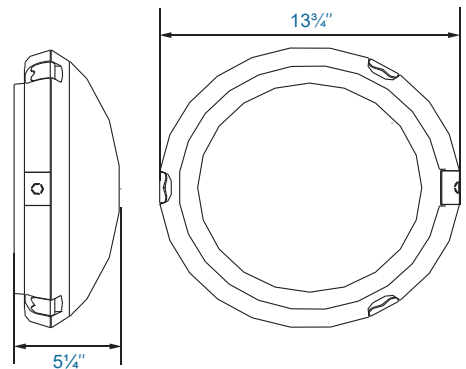


AF33XWPR32QF1X30U4K

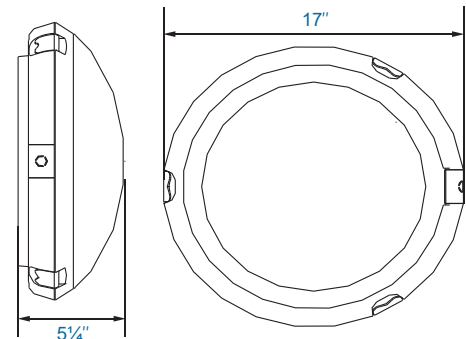
CIRC ABS Round Wall Pack		
Catalog #	Description	
Complete Units		
Ordering Information		
Example: WPR30QF1X20U4KWS2		
WPR**	Model:	WPR**
Q	LED Mfr:	Q=Access Fixture
F	Optics:	F=Medium Spread
1X	Number of Arrays:	1X=One
20	Wattage:	20/30=20w or 30w
U	Ballast:	U=120-277V
4K	CCT:	4K=4000K
W	Color:	W=White
S2	Options	S2=Microwave Sensor w/Dimming (Internal), for Mounting Heights of 15ft or Less



AF33XWPR32TAMKIT
(Shown Attached)



AF33XWPR30Q



AF33XWPR32Q

Catalog #	Description
AF33XWPR32TAMKIT	Tamper-Resistant Kit Consisting of 4 Clips and Screws for WPR30 and WPR32 Models. Use One Kit Per Fixture.
AF33XP17117	Microwave Sensor w/Dimming (Internal), for Mounting Heights of 15ft or Less