

AF33XWCTRD

HAMA Up Down LED Wall Sconce

L70
25°C **89,000 Hours**



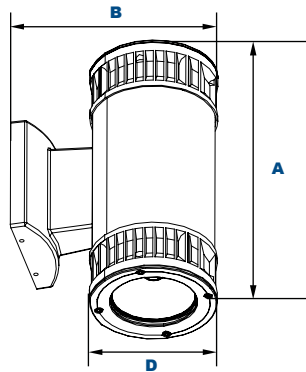
Shown with "B" Wide Optic



Shown with "A" Medium Optic



Shown with "D" Narrow Optic



Dimensions

| | |
|---------------------|-----------------|
| Diameter (D) | 5 1/2" (146mm) |
| Length (B) | 8 1/4" (226mm) |
| Height (A) | 12 1/2" (316mm) |

The HAMA Up Down LED Wall Sconce architectural wall cylinder provides up/down lighting with narrow, medium and wide distributions designed to replace HID lighting systems from up to 100w MH or HPS. Typical wall mounted lighting applications include retail centers, industrial parks, schools and universities, public transit and airports, office buildings and medical facilities. Mounting heights of 8 to 16 feet can be used based on light level and uniformity requirements.

Specifications and Features:

Housing:

Extruded Round Aluminum Housing with Built-in Heat Sinks.

Listing & Ratings:

CSA: Listed for Wet Locations, ANSI/UL 1598, 8750; IP66 Sealed LED Compartment.

Finish:

Textured Architectural Bronze or Black Powdercoat Finish Over a Chromate Conversion Coating. Custom Colors Available Upon Request.

Lens:

Tempered Clear Flat Glass Lenses

Reflector:

Wide, Medium and Narrow Distributions

Mounting Options:

Mount Over a 4" Recessed Outlet Box.

COB LED:

Cool Copper COB

Wattage:

COB: 40w, System: 40w; (100w HID Equivalent)

Driver:

Electronic Driver, 120-277V, 50/60Hz; Less Than 20% THD and PF>0.90. Standard Internal Surge Protection 2kV. 0-10V Dimming Standard for a Dimming Range of 100% to 10%; Dimming Source Current is 150 Microamps.

Controls:

Fixtures Ordered with Factory-Installed Photocell or Motion Sensor Controls are Internally Wired for Switching and/or 1-10V Dimming Within the Housing. Remote Direct Wired Interface of 1-10V Dimming is Not Implied and May Not Be Available, Please Consult Factory. Fixtures are Tested with Access Fixtures Controls and May Not Function Properly With Controls Supplied By Others. Fixtures are NOT Designed for Use with Line Voltage Dimmers.

Warranty:

5-Year Warranty for -40°C to +50°C Environment.

See Page 2 for Projected Lumen Maintenance Table.

Order Information Example: AF33XWCTRDAC32X20U41KZSP

| AF33XWCTRD | | C3 | 2X20 | | 41K | | |
|--|---|-------------|----------|--------------------------|-----------|--|--|
| Model | Optics | LED | Wattage | Driver | CCT | Color | Options |
| AF33XWCTRD= HAMA Up Down LED Wall Sconce | A=70° Up/70° Down B=100° Up/100° Down C=70° Up/100° Down D=30° Up/30° Down E=30° Up/100° Down F=30° Up/70° Down G=100° Up/30° Down H=100° Up/70° Down I=70° Up/30° Down | C3=QSSI COB | 2X20=40w | U=120-277V H=347-480V | 41K=4100K | Z=Bronze B=Black C=Custom (Consult Factory) | SF=Single Fuse DF=Double Fuse SP=Surge Protection PC1=Photocell, 120VAC PC3=Photocell, 120-277VAC BU=Battery Backup, 90 Minutes |

Project Information:

Project Name: _____ Fixture Type: _____

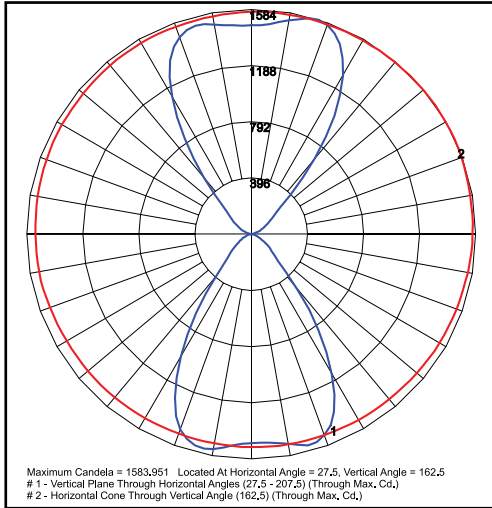
Complete Catalog #: _____ Date: _____

Comments: _____

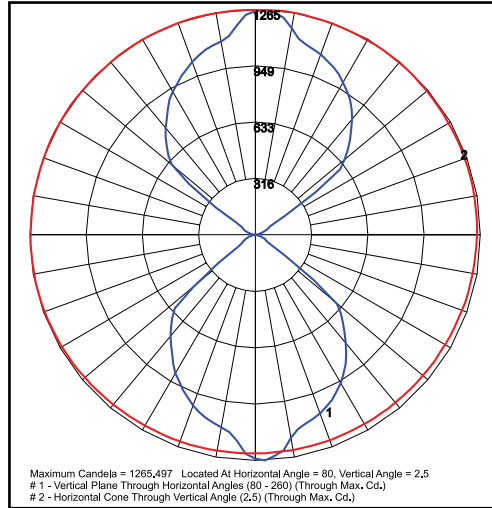
Certification & Listings:



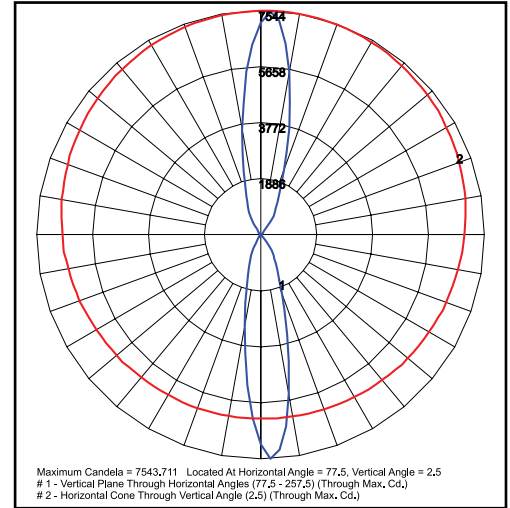
Photometric Data



AF33XWCTR DAC32X20U41K
70° Up/70° Down Optic



AF33XWCTRDBC32X20U41K
100° Up/100° Down Optic



AF33XWCTR DDC32X20U41K
30° Up/30° Down Optic

Photometric Performance

4100 CCT 80 CRI

| LED Board Watts | Drive Current (mA) | Input Watts | Beam | Lumens | LPW | B | U | G |
|-----------------|--------------------|-------------|----------|--------|-----|---|---|---|
| LED 40w | 525 | 40 | A Medium | 4,398 | 110 | 2 | 5 | 0 |
| | | | B Wide | 4,577 | 114 | 1 | 5 | 0 |
| | | | D Narrow | 4,344 | 109 | 2 | 5 | 0 |

Projected Lumen Maintenance

| Data shown for 4100 CCT | | | Compare to MH | | | | |
|--------------------------------------|-------------|---------|---------------|------------|-------------|----------------------|--|
| TM-21-11 | Input Watts | Initial | 25,000 Hrs | 50,000 Hrs | 100,000 Hrs | Calculated L70@ 25°C | |
| L70 Lumen Maintenance @ 25°C / 77°F | 40 | 1.00 | 0.92 | 0.83 | 0.66 | 89,000 | |
| TM-21-11 | Input Watts | Initial | 25,000 Hrs | 50,000 Hrs | 100,000 Hrs | Calculated L70@ 50°C | |
| L70 Lumen Maintenance @ 50°C / 122°F | 40 | 1.00 | 0.90 | 0.81 | 0.62 | 78,000 | |
| TM-21-11 | Input Watts | Initial | 25,000 Hrs | 50,000 Hrs | 100,000 Hrs | Calculated L80@ 40°C | |
| L80 Lumen Maintenance @ 40°C / 104°F | 40 | 1.00 | 0.93 | 0.86 | 0.72 | 72,000 | |

NOTES:

1. Projected per IESNA TM-21-11. Data references the extrapolated performance projections for the 525mA base model in a 25°C ambient, based on 10,000 hours of LED testing per IESNA LM-80-08.
2. Compare to MH box indicates suggested Light Loss Factor (LLF) to be used when comparing to Metal Halide (MH) systems.