



**AF33XWPS22GRQ**

**Housing:**

Die Cast Aluminum Housing & Grid Front Frame, Textured Powdercoat Finish Over a Chromate Conversion Coating, Gasketed

**Listing & Ratings:**

CSA: Listed for Wet Locations, Wall Mount Only  
ANSI/UL 1598, 8750  
IP65 Sealed LED Compartment.

**Lens:**

Polycarbonate Opal Lens

**Mounting:**

Surface Mount

**LumaFit LED:**

Array Lumens: 3,276

CRI: 85

CCT: 5000K

Rated Life: 50,000 Hours

Aluminum Boards

**Wattage:**

Array: 22.7w, System: 27.2w

**Driver:**

Electronic Driver, 120-277V, 50/60Hz or 347-480V, 50/60Hz; Less Than 20% THD and PF>0.90.

Standard Internal Surge Protection 2kV. 0-10V

Dimming Standard for a Dimming Range of 100% to 10%; Dimming Source Current is 150 Microamps.

**Warranty:**

5-Year Warranty for -40°C to +40°C Environment.

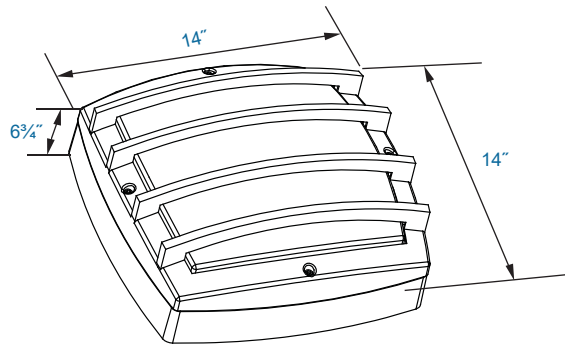
**Options:**

Battery Backup

Custom Colors Available Upon Request.

## SARC Square Bulkhead/Canopy Light

Catalog #	Description	
<b>Complete Units</b>		
<b>Ordering Information</b>		
Example: AF33XWPS22GRQF1X23U5KLZSF		
<b>AF33XWPS22</b>	<b>Model:</b>	AF33XWPS22GR
<b>Q</b>	<b>LED Mfr:</b>	Q=Access Fixtures
<b>F</b>	<b>Optics:</b>	F=Medium Beam Spread
<b>1X</b>	<b>Number of Arrays:</b>	1X=One
<b>23</b>	<b>Wattage:</b>	23=23w
<b>U</b>	<b>Ballast:</b>	U=120-277V, H=347-480V
<b>5K</b>	<b>CCT:</b>	5K=5000K
<b>L</b>	<b>Lens:</b>	L=LumaLens Polycarbonate Opal Lens
<b>Z</b>	<b>Color:</b>	Z=Bronze, W=White
<b>-</b>	<b>Mounting:</b>	N/A
<b>SF</b>	<b>Options:</b>	SF=Single Fuse, DF=Double Fuse



**AF33XWPS22GRQ**



**AF33X3EBL1202774500 (battery backup module)**