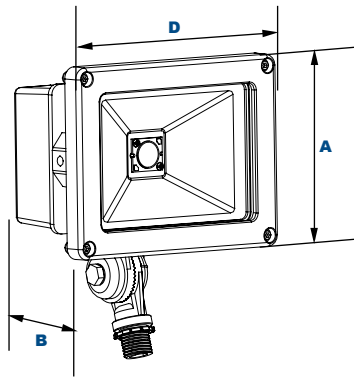


FL20L

L70
25°C

128,000 Hours

LED Small Flood Light



Dimensions

Width (D)	6¾" (172mm)
Length (B)	4¾" (113mm)
Height (A)	5¼" (133mm)

Order Information Example:

AF33XFL20L1X18U5KZKP22

FL20L	1X18				K	
Model	Wattage	Driver	CCT	Color	Mounting	Options
AF33XFL20L= Small LED Flood	1X18=18w	U=120-277V V=12V	4K=4000K 5K=5000K	Z=Bronze C=Custom (Consult Factory)	K=½" NPS Knuckle	P10=Pencil Photocell, 120VAC* P12=Pencil Photocell, 208-277VAC* P14=Pencil Photocell, 120-277VAC* P20=Swivel Photocell, 120VAC* P22=Swivel Photocell, 208-277VAC*

Specifications and Features:

Housing:

Die Cast Aluminum Housing and Front Frame with Separate Ballast Compartment. Integral Heat-Dissipating Fins for Thermal Management. ½" Threaded Aperture with Liquid-Tight Connector.

Listing & Ratings:

CSA: Listed for Wet Locations, ANSI/UL 1598, 8750; IP66 Sealed LED Compartment.

Finish:

Textured Architectural Bronze Powdercoat Finish Over a Chromate Conversion Coating. Custom Colors Available Upon Request.

Lens:

Clear Flat Glass Lens.

Mounting Options:

Adjustable Knuckle with ½" NPS Threads.

COB LED:

LED COB

Wattage:

LED: 1 x 18w; System: 21w; (70w HID Equivalent)

Driver:

Electronic Driver 120-277V 50/60Hz; Less Than 20% THD and PF>0.90. Standard Internal Surge Protection 2kV 0-10V Dimming Standard for a Dimming Range of 100% to 10 %; Dimming Source Current is 150 Microamps.

Controls:

Fixtures Ordered with Factory-Installed Photocell or Motion Sensor Controls are Internally Wired for Switching and/or 1-10V Dimming Within the Housing. Remote Direct Wired Interface of 1-10V Dimming is Not Implied and May Not Be Available, Please Consult Factory. Fixtures are Tested with LEPC Controls and May Not Function Properly With Controls Supplied By Others. Fixtures are NOT Designed for Use with Line Voltage Dimmers.

Warranty:

5-Year Warranty for -30°C to +50°C Environment.

See Page 2 for Projected Lumen Maintenance Table.

Project Information:

Project Name: _____ Fixture Type: _____

Complete Catalog #: _____ Date: _____

Comments: _____

Certification & Listings:



DesignLights Consortium™
Qualified Luminares:
FL20L1X18U5K



Specifications subject to change without notice. Rev. 010719



Tampa, FL
Vancouver, WA
Cerritos, CA
Walden, NY
Memphis, TN
Telford, U.K.

