

venu LED Bollard Light



AF53XYZTL812A



AF53XYZTL812B



AF53XYZTL812C



AF53XYZTL812D



PRODUCT DESCRIPTION:

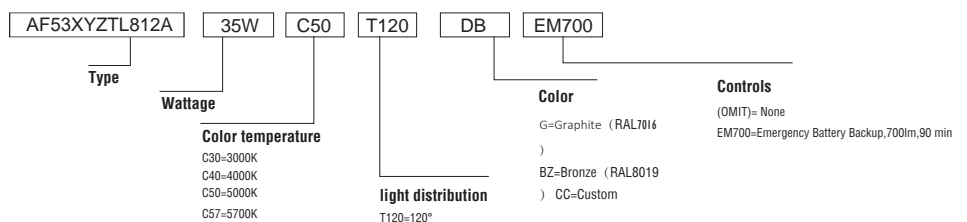
venu has a corrosion-resistant die-cast aluminum housing. venu is available in multiple styles, heights, wattages, and is even available in turtle friendly amber wavelengths.

FEATURES:

- Available in Graphite, Bronze, or custom RAL
- Available in 3000K, 4000K, 5000K, and 5700K
- CRI > 70
- Universal 120-240/277V, 50/60Hz driver
- Lens angles: 120°
- Available in 72" and 90"
- Available in turtle friendly amber
- Choose from round flat top or round dome top
- Choose from louvers or cone reflector
- Available with battery backup
- Shielding available

| MODEL SELECTION | | | Typical order example: AF53XYZTL812A/35W/C50 /T120/DB/PC | | | |
|---|--|--|--|---|-------------------------------------|---|
| TYPE | WATTAGE (NOMINAL) | CCT | DISTRIBUTION | FINISH | VOLTAGE | CONTROLS |
| AF53XYZTL812A AF53XYZTL812C ----- AF53XYZ TL812B AF53XYZ TL812D | LED = HID 25W = 50W MH 35W = 70W MH ----- 25W = 50W MH 35W = 70W MH 50W = 100W MH 60W = 120W MH | C30=3000K C40=4000K C50=5000K C57=5700K | T120= 120° | G=Graphite (RAL 7016) BZ=Bronze (RAL8019) CC=Custom | (OMIT)= 120-240/277V UH=347-480V | (OMIT)= None EM700=Emergency Battery Backup,700lm,90 min |

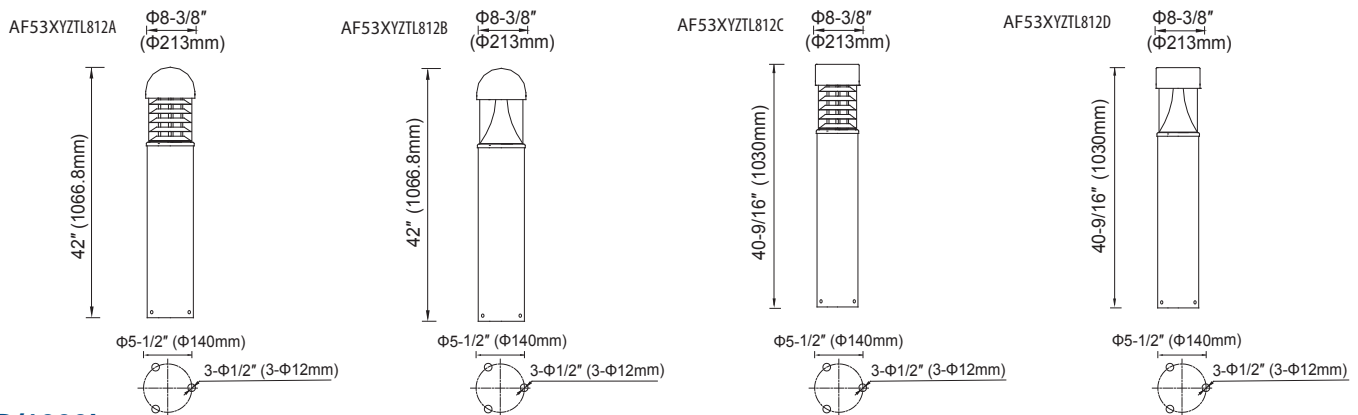
Typical order example:



SPECIFICATIONS:

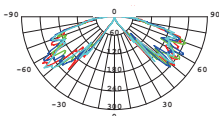
| ITEM | SPECIFICATION | DETAILS | | | | | | | | | | | |
|---------------------|---------------------------------------|---|--------------------------|--------------------------|--------------------------|--------------------------|--------------------------|--------------------------|--------------------------|--------------------------|--------------------------|--------------------------|--------------------------|
| | | AF53X YZTL812A 25W | AF53X YZTL812A 35W | AF53X YZTL812B 25W | AF53X YZTL812B 35W | AF53X YZTL812B 50W | AF53X YZTL812B 60W | AF53X YZTL812C 25W | AF53X YZTL812C 35W | AF53X YZTL812D 25W | AF53X YZTL812D 35W | AF53X YZTL812D 50W | AF53X YZTL812D 60W |
| GENERAL PERFORMANCE | Distribution | 120° | | | | | | | | | | | |
| | Input Power (W) | 25 | 35 | 25 | 35 | 50 | 60 | 25 | 35 | 25 | 35 | 50 | 60 |
| | Lumens Delivered (lm) at 5000k | 1325 | 2450 | 2500 | 3500 | 5000 | 6000 | 1750 | 2450 | 2500 | 3500 | 5000 | 6000 |
| | Efficacy (lm/W) | 70 | | 100 | | | | 70 | | 100 | | | |
| | CRI | ≥ 70 | | | | | | | | | | | |
| | Lumen Maintenance (L70, TM-21 @ 25°C) | L90>36,000 hours | | | | | | L70 ≥ 50,000 hours | | | | | |
| | Color Temperature | 3000K/4000K/5000K/5700K | | | | | | | | | | | |
| | Spacing Criteria | Available Upon Request | | | | | | | | | | | |
| | Color Consistency | Proprietary binning for uniform color | | | | | | | | | | | |
| ELECTRICAL | Input Voltage | 120-240/277V / 347-480V | | | | | | | | | | | |
| | Power Factor (120V/277V) | ≥ 0.95 | | | | | | | | | | | |
| PHYSICAL | Weight | 11.3KG | | | | | | | | | | | |
| | Housing | Extruded -aluminum | | | | | | | | | | | |
| | lens/reflector | Aluminum | | | | | | | | | | | |
| | Mounting | Ground installation | | | | | | | | | | | |
| | Operating Temperature | -4°F to 113°F | | | | | | | | | | | |
| | Humidity | 20-85% RH, non-condensing | | | | | | | | | | | |
| CERTIFICATION | Certification | cETLus, LM79, LM80 | | | | | | | | | | | |
| | Intended Use | Business district, squares, walkways, parks, residence communities etc. | | | | | | | | | | | |
| | Warranty | 5 Years | | | | | | | | | | | |

Mounting Details



CD/1000lm

AF53XYZTL812A/C



AF53XYZTL812B/D

