

VERT Tall Bollard Light / Light Column

L70
25°C **187,000 Hours**



Dimensions

Diameter (D)	5" (128mm)
Height (A)	144 $\frac{3}{4}$ " (3675mm)
Mounting Base (B)	8" (205mm) Square
Decorative Round Base Cover (B)	16 $\frac{1}{2}$ " (422mm) Diameter

- Available height between 5' and 12' tall
- Select either 25w, 38w or 49 watts
- Choice of 3000, 4000 or 5000 Kelvin

Specifications and Features:

Housing:

Extruded 12-foot Aluminum Housing with Flat Top and Die Cast Mounting Base. Includes PBR1 Decorative Clamshell Base Cover with Stainless Steel Hardware.

Listing & Ratings:

CSA: Listed for Wet Locations, ANSI/UL 1598, 8750
IP66 Sealed LED Compartment.

Finish:

Textured Architectural Black or Platinum Powdercoat Finish Over a Chromate Conversion Coating.

Lens:

Opal UV-Stabilized Polycarbonate Vandal-Resistant Lens

Mounting Options:

Mounts with Four M18 x 15" Anchor Bolts, Included.

EasyLED LED:

Aluminum Boards

Wattage:

24w Array: 23w, System: 25.1w
36w Array: 34.5w, System: 37.6w
48w Array: 46w, System: 48.9w

Driver:

Electronic Driver, 120-277V, 50/60Hz; Less Than 20% THD and PF>0.90. Standard Internal Surge Protection 2kV. 0-10V Dimming Standard for a Dimming Range of 100% to 10%; Dimming Source Current is 150 Microamps.

Warranty:

5-Year Warranty for -40°C to +50°C Environment.

See Page 3 for Projected Lumen Maintenance Table.

Project Information:

Project Name: _____ Fixture Type: _____

Complete Catalog #: _____ Date: _____

Comments: _____

Certification & Listings:



Order Information Example: AF33XB8TQF1X48U5KLPBLC

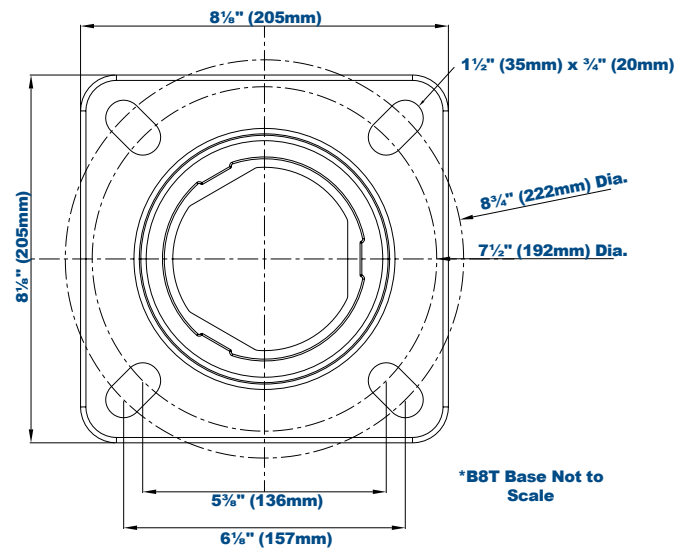
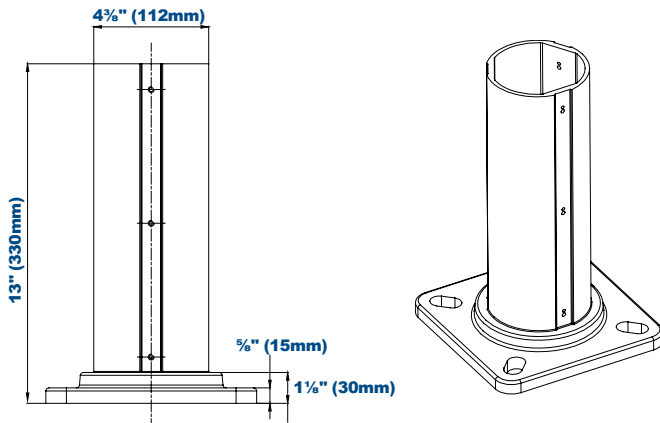
AF33XB8TQ	F		U		L			
Model	Optics	Wattage	Driver	CCT	Lens	Color	Height	Options
AF33XB8TQ = LED Round Light Column	F=Type V	1X24=24w 1X36=36w 1X48=48w	U=120-277V	3K=3000K 4K=4000K 5K=5000K	L = Opal UV-Stabilized Polycarbonate Lens	B=Black P=Platinum	(Leave Blank)= 12' Standard Height 60=60" C=Custom Height of Less Than 8' (Consult Factory)	SF=Single Fuse* DF=Double Fuse* SP=Surge Protection LBC=Less Base Cover *120-277V Model Only

Accessories & Replacement Parts:
Replacement Parts (Order Separately, Field Installed)

PBR1* Decorative Clamshell Base Cover, 16 1/2" Diameter, Powdercoat Finish

*Specify Color: B=Black, P=Platinum

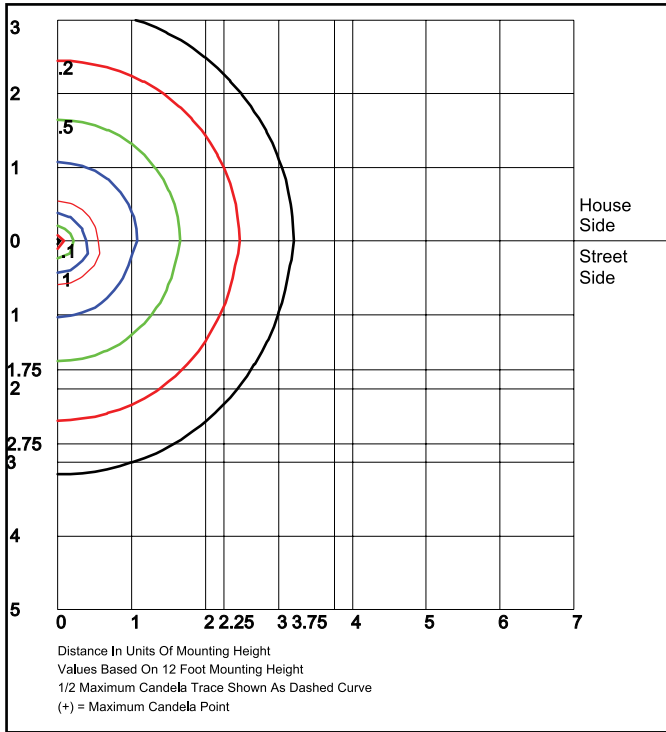

AF33XPBR1*
 *Shown Mounted

Base Information:


Shaft Base Size	Bolt Circle A	Base Size B	Anchor Bolt Size
AF33XB8T	Min 7.5" (192mm); Max 8.75" (222mm)	8.125" x 8.125"	M18 x 15"

*B8T Base Not to Scale

Photometric Data



AF33XB8TQF1X48U5KL

Grid in feet, Mounting Height = 12 ft.

Photometric Performance

Optic	CCT	Wattage (Catalog Logic)			
		24W (1X24)	36W (1X36)	48W (1X48)	
		Input Watts	25.1W	37.6W	50.2W
		Delivered Lumens			
AF33XB8T Type V Optic	3000K	2,486	3,730	4,973	
	4000K	2,697	4,046	5,394	
	5000K	2,809	4,214	5,619	
	BUG Rating	B1-U5-G2	B1-U5-G2	B2-U5-G3	

Projected Lumen Maintenance

Data shown for 5000 CCT		Compare to MH				
TM-21-11	Input Watts	Initial	25,000 Hrs	50,000 Hrs	100,000 Hrs	Calculated LED Life
L70 Lumen Maintenance @ 25°C / 77°F	All wattages up to and including 50w	1.00	0.96	0.92	0.84	187,000
L70 Lumen Maintenance @ 50°C / 122°F		1.00	0.94	0.89	0.78	136,000
L80 Lumen Maintenance @ 40°C / 104°F		1.00	0.95	0.91	0.81	106,000

NOTES:

- Projected per IESNA TM-21-11. Data references the extrapolated performance projections for the 1400mA base model in a 25°C ambient, based on 10,000 hours of LED testing per IESNA LM-80-08.
- Compare to MH box indicates suggested Light Loss Factor (LLF) to be used when comparing to Metal Halide (MH) systems.

