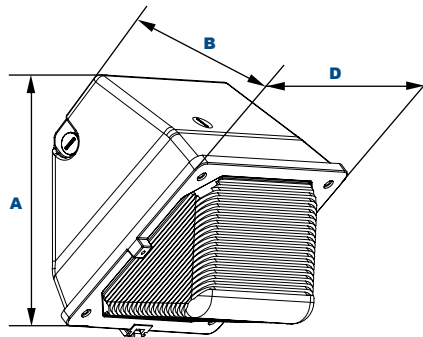


AF33XWP12Q

ZIBO 28w Wall Pack

L70
25°C **182,000 Hours**



Dimensions

Width (D)	8¾" (222mm)
Length (B)	8¾" (222mm)
Height (A)	9¼" (235mm)

The Access Fixtures 28w ZIBO general purpose wall pack luminaire provides optically controlled wide spread light distribution designed to replace HID lighting systems up to 100w MH or HPS. Typical wall mounted lighting applications include retail centers, industrial parks, schools and universities, public transit and airports, office buildings and medical facilities. Mounting heights of 8 to 15 feet can be used based on light level and uniformity requirements.

Specifications and Features:

Housing:

Die Cast Gasketed Aluminum Front Frame and Housing with ½" Coin Plugs, Nickel-Plated Stainless Steel Hardware.

Listing & Ratings:

CSA: Listed for Wet Locations, ANSI/UL 1598, 8750; IP65 Sealed LED Compartment.

Finish:

Textured Architectural Bronze Powdercoat Finish Over a Chromate Conversion Coating. Custom Colors Available Upon Request.

Lens:

Prismatic Clear or SoftLED Prismatic Borosilicate Glass Lens

Mounting Options:

Mount Directly Over a 4" Recessed Outlet Box, or Use ½" Surface Conduit or Optional Wall Mount Plate.

LED Type:

Aluminum Boards

Wattage:

Array: 22.7w, System: 27.6w; (100w HID Equivalent)

Driver:

Electronic Driver, 120-277V, 50/60Hz or 347-480V, 50/60Hz; Less Than 20% THD and PF>0.90. Standard Internal Surge Protection 2kV. 0-10V Dimming Standard for a Dimming Range of 100% to 10%; Dimming Source Current is 150 Microamps.

Controls:

Fixtures Ordered with Factory-Installed Photocell or Motion Sensor Controls are Internally Wired for Switching and/or 1-10V Dimming Within the Housing. Remote Direct Wired Interface of 1-10V Dimming is Not Implied and May Not Be Available, Please Consult Factory. Fixtures are Tested with factory Controls and May Not Function Properly With Controls Supplied By Others. Fixtures are NOT Designed for Use with Line Voltage Dimmers.

Warranty:

5-Year Warranty for -40°C to +40°C Environment.

See Page 2 for Projected Lumen Maintenance Table.

Order Information Example:

AF33XWP12QF1X23U5KZSP

Model	Optics	Wattage	Driver	CCT	Lens	Color	Options
AF33XWP12Q =E asyLED Small Wall Pack	F =Type IV	1X23 =23w	U =120-277V H =347-480V	3K =3000K 4K =4000K 5K =5000K	(Leave Blank)= Standard Prismatic Glass Lens S = SoftLED Prismatic Glass Lens	Z =Bronze C =Custom (Consult Factory)	SF =Single Fuse DF =Double Fuse SP =Surge Protection PC1 =Photocell, 120VAC PC3 =Photocell, 120-277VAC

Project Information:

Project Name: _____ Fixture Type: _____

Complete Catalog #: _____ Date: _____

Comments: _____

Certification & Listings:



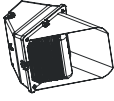
DesignLights Consortium™
Qualified Luminares:
AF33XWP12QF1X23
U5K*



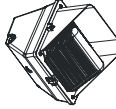
Accessories & Replacement Parts:



AF33XWPMP



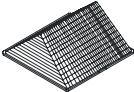
AF33XWP12FCA*



AF33XWP12GSA*



AF33XWP12WG



AF33XWP12GL



AF33XP18100 &
AF33XP18103

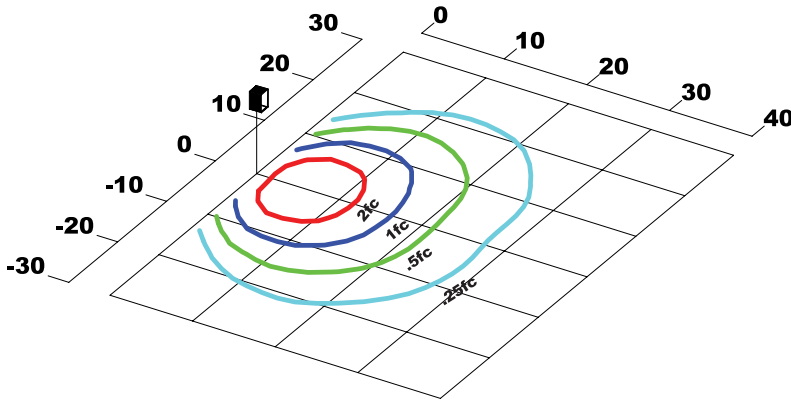
*Shown Mounted

Mounting Accessories (Order Separately, Field Installed)
AF33XWPMP Die Cast Wall Mount Plate with Locknut, O-ring & Weatherproof Gasket.

Accessories (Order Separately, Field Installed)
AF33XWP12FCA Full Cutoff, Stamped Aluminum, Bronze Powdercoat Finish, Includes Hardware.
AF33XWP12GSA Glare Shield, Stamped Aluminum, Bronze Powdercoat Finish, Includes Hardware.
AF33XWP12WG Wire Guard, Stainless Steel Construction, Includes Hardware.

Replacement Parts (Order Separately, Field Installed)
AF33XWP12GL Molded Prismatic Borosilicate Glass Lens.
AF33XWP12GLSS SoftLED Prismatic Borosilicate Glass Lens.
AF33XP18100 120VAC Photocell
AF33XP18103 120-277VAC Photocell

Photometric Data



AF33XWP12QF1X
23U5K Type IV
Grid in MH
MH=10 Feet

Photometric Performance

LED Board Watts	Drive Current (mA)	Input Watts	Optics	5000 CCT 80 CRI					4000 CCT 80 CRI					3000 CCT 80 CRI				
				Lumens	LPW	B	U	G	Lumens	LPW	B	U	G	Lumens	LPW	B	U	G
23w	700	28	Type IV	2,979	106	1	3	3	2,860	102	1	3	3	2,636	94	1	3	3

Projected Lumen Maintenance

Data shown for 5000 CCT			Compare to MH				
TM-21-11	Input Watts	Initial	25,000 Hrs	50,000 Hrs	100,000 Hrs	Calculated L70@ 25°C	
L70 Lumen Maintenance @ 25°C / 77°F	28	1.00	0.96	0.92	0.84	182,000	
TM-21-11	Input Watts	Initial	25,000 Hrs	50,000 Hrs	100,000 Hrs	Calculated L70@ 50°C	
L70 Lumen Maintenance @ 50°C / 122°F	28	1.00	0.93	0.86	0.71	104,000	
TM-21-11	Input Watts	Initial	25,000 Hrs	50,000 Hrs	100,000 Hrs	Calculated L80@ 40°C	
L80 Lumen Maintenance @ 40°C / 104°F	28	1.00	0.94	0.88	0.75	80,000	

NOTES:

1. Projected per IESNA TM-21-11. Data references the extrapolated performance projections for the 700mA base model in a 25°C ambient, based on 10,000 hours of LED testing per IESNA LM-80-08.
2. Compare to MH box indicates suggested Light Loss Factor (LLF) to be used when comparing to Metal Halide (MH) systems.