

CONA 17w LED Turtle Friendly Cone Reflector Square Flat Top Bollard Light, 120-277v



SKU: AF33XBOSFRLQFUAM

Product Tags: [Bollard](#), [Exterior Lighting](#), [Exterior Pathway Lighting](#), [LED](#), [LED Amber](#), [LED|LED Amber](#), [Turtle-Friendly](#), [Wildlife-Friendly](#)

Product Page: <https://www.accessfixtures.com/p/17w-turtle-friendly-lighting/>

Product Description

CONA 17w LED Turtle Friendly Cone Reflector Square Flat Top Bollard Light, 120-277v is a popular bollard light fixture with a wide range of features and options.

Turtle Friendly Amber: This bollard light emits light at 590 nanometers, which cannot be seen by turtles and wildlife but appears amber to humans.

Cone Reflector: This bollard light reflects light down and around the unit in a 360

degree pattern, maximizing efficiency.

Durable Construction: This bollard light features a durable extruded aluminum housing, polycarbonate lens, and IP65 rating.

Features

This bollard light includes:

- Square flat top bollard light with cone reflector - Corrosion-resistant, extruded-aluminum housing - 120-277v compatible - L70 rated at 50,000 hours
- 360 lumens - 42" x 7" - 22 lbs - 5 year Access Fixtures warranty Options
- Choice of Finish: Bronze, Black, or custom RAL colors available upon request - Standard (42") or custom height down to 20" - Choice of shipping anchor bolts ahead of time or with bollard light - GCFI Outlet - Surge protection - Shielding options Mounting

CONA 17w LED Turtle Friendly Cone Reflector Square Flat Top Bollard Light, 120-277v includes all hardware required for mounting:

- 8' steel anchor bolts - Steel mounting templates - Extruded aluminum base plate - Vandal-resistant screws - Lock washers

For more information on general bollard light mounting, please see the installation diagram above or consult our [bollard light installation guide here](#).

Access Fixtures 5-Year Warranty

All Access Fixtures packages come with a 5-year warranty. If your product is found to have a manufacturing defect - we will replace components, the entire product, or issue a refund. We stand behind the quality of our products. Our customer service team is happy to help with all your questions or address any concerns. If you have any questions, please give us a call at **800-468-9925**. Please view Access Fixtures' [return policy](#). Need a Photometric Analysis for Your CONA 17w LED Turtle Friendly Cone

Reflector Square Flat Top Bollard Light, 120-277v Project?

A photometric analysis creates a computer simulation of a particular project. No matter what you are lighting, a photometric analysis is an easy way to quantify light levels before purchasing. When a report is generated, a lighting specialist will walk you through it so you know exactly what you will be receiving. Photometrics include average and minimum footcandles, uniformity ratios, spacing, light trespass

info, and more. Plus, the cost of the study is refunded back to you when you purchase the fixtures. Call us at **800-468-9925** for more information about ordering a photometric analysis for your project.

Ready to Order CONA 17w LED Turtle Friendly Cone Reflector Square Flat Top Bollard Light, 120-277v or Speak to a Lighting Specialist?

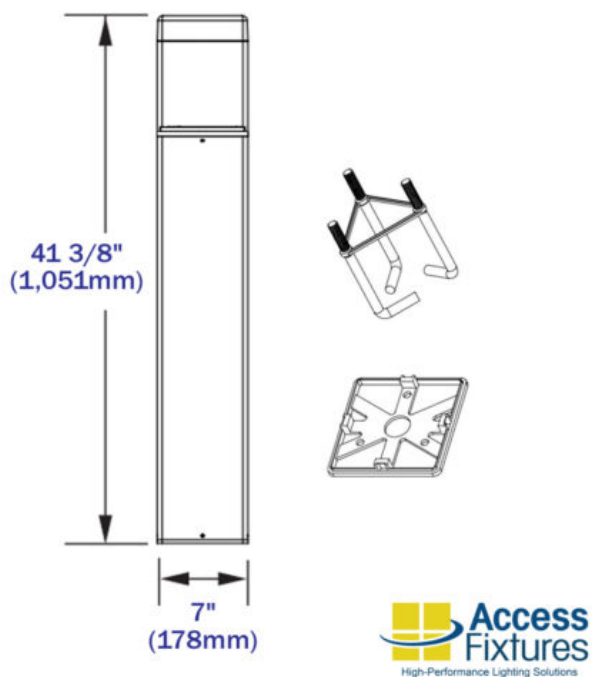
You can place your order online or if you want additional information, give us a call at **800-468-9925**. Our team of friendly, expert high performance lighting specialists are available to provide what you need to purchase fixtures and illuminate your project with confidence.

Product Attributes

- Dimensions: 7 × 7 × 41.375 in
- Weight: 22 lbs
- Availability: Typically ships in 7-10 business days
- Available Finishes: Black, Bronze, Custom RAL
- Color Temperature (K): Amber 590nm
- Color Temperature Filter: Amber LED
- Housing: Extruded aluminum housing with flush-mount base and vandal-resistant screws. Internal driver tray.
- LED Type: LED Array
- Lens: Clear polycarbonate lens
- Light Source: Turtle & Wildlife Friendly
- Light Source Included: LED Array Included
- Light Source Lumens: 360
- Listings: CSA - listed for wet Locations, IP65
- Mounting: Mounting kit with anchor bolts Included.
- Rated Life: 147,000 Hours
- Reflector: Cone Reflector
- Size: 7"
- Style: Cone Reflector, Square

- System Watts: 17
- Voltage: 120-277v
- Warranty: 5-Year Warranty

Product Gallery



Spectral Chart - Amber LED

