

VERS 60w LED Full Cutoff Wall Pack, IP66 Rated, 4000 Kelvin



SKU: AF33XTV3C34X15U41K

Product Tags: [LED](#)

Product Page: <https://www.accessfixtures.com/p/57w-led-wall-pack-vers/>

Product Description

VERS 60w LED Full Cutoff Wall Pack, IP66 Rated, 4000 Kelvin Features:

- 57w integrated LED - 120-277v - L70 rate life of 77,000 hours - 6,508 lumens
- 4000K ([learn more here](#)) - 80+ CRI ([learn more about Color Rendering Index here](#)) - IP66 rated - Die-cast aluminum housing - 11.25" x 9.75" x 6.125" in. - 13 lbs.
- 5-year warranty included

VERS 60w LED Full Cutoff Wall Pack, IP66 Rated, 4000 Kelvin Options:

Choice of powdercoat finish: bronze, or custom RAL ([learn more here](#))

- Surge Protection - Photocell - Mounting Access Fixtures Warranty

Access Fixtures is proud to assemble high quality, long lasting lighting products which are covered by a 5-year warranty. In accordance with our warranty policy, we will offer repair, replacement, or refund for qualifying claims. Please contact our friendly customer service team, located in Worcester, MA, to address any questions or concerns you may have. We can be reached at 800-468-9925 Monday-Friday 9-5 EST or via email at sales@accessfixtures.com. Click here to view Access Fixtures' [complete warranty policy](#). Need a Photometric Analysis for Your Project?

A photometric analysis creates a computer simulation of a particular project. No matter what you are lighting, a photometric analysis is an easy way to quantify light levels before purchasing. When a report is generated, a lighting specialist will walk you through it so you know exactly what you will be receiving. Photometrics include average and minimum footcandles, uniformity ratios, spacing, light trespass info, and more. Plus, the cost of the study is refunded back to you when you purchase the fixtures. Call us at 800-468-9925 for more information about ordering a photometric analysis for your project.

Ready to Order or Speak to a Lighting Specialist?

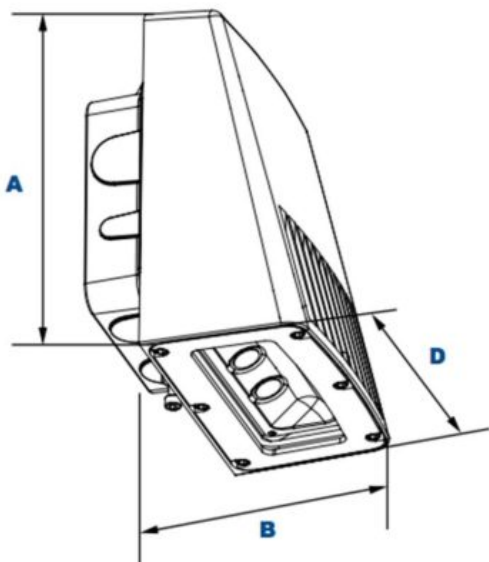
You can place your order online, here. Or, if you want additional information, give us a call at 800-468-9925. Does your project require multiple fixtures? Ask us about quantity discounts. Our team of friendly expert lighting specialists are available to provide what you need to purchase fixtures and illuminate your project with confidence.

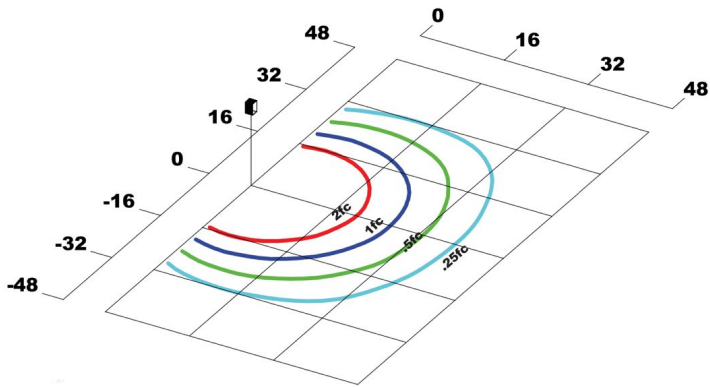
Product Attributes

- Dimensions: 15 × 10 × 10 in
- Weight: 18 lbs
- Availability: Typically ships in 7-10 business days
- Light Source: 4000K - Cool White
- Available Finishes: Bronze, Custom RAL

- Color Rendering Index (CRI): 80+
- Housing: Extruded aluminum with die-cast aluminum head
- Lens: Clear flat tempered glass lens
- Light Source Included: LED Array Included
- Light Source Lumens: 6508
- Listings: CSA - listed for wet Locations, IP65
- Mounting: Mounts on adjustable wall brackets., Mounts over 4-inch electrical box, Optional ground stake mount or pole top fitter mount also available.
- Product Family: VERS
- Rated Life: 86,000 Hours
- System Watts: 57
- Voltage: 120v, 208v, 240v, 277v
- Warranty: 5-Year Limited Warranty
- Style: Full Cutoff

Product Gallery





VERS 60 with 16' Mounting Height



