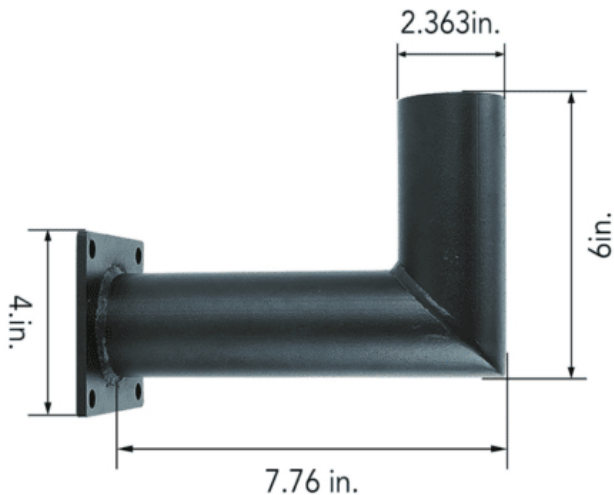


## MT-03 Single Tenon Slipfitter Wall Mounting Kit, 2-3/8" Tenon, Bronze



**SKU:** AF38XWMSPD

**Product Page:**

<https://www.accessfixtures.com/p/brkt-single-tenon-slipfitter-wall-mounting-kit/>

### Product Description

The MT-03 Wall Mounting Kit for Slipfitter is a 90 degree mount bracket with 2-3/8" tenon, comes available in a bronze finish and is a practical solution for mounting one fixture to almost any surface: wall, roof, wood or steel pole. The MT-03 provides wiring access and built-in 2-3/8" tenon to mount a fixture with an adjustable slipfitter. Suggested 3/8" diameter bolts for mounting. Mounting holes are spaced 3-1/4" apart.

**Value:** The MT-03 slipfitter wall mount is a simple, cost effective solution for any

lighting project.

**Durable:** This MT-03 slipfitter wall mount is made of rugged steel with a rustproof powdercoat bronze finish.

**Versatile:** MT-03 slipfitter wall mount is a good choice for all different kinds of lighting projects. Fixtures can be mounted to almost any surface i.e wall, roof, wood or steel pole.

Features:

- Rugged steel construction - Dark bronze finish - Suggested 3/8" diameter bolts for mounting - Size: 7.76" x 6" x 2-3/8" O.D - 2 lbs. - 5-year warranty

## Access Fixtures Warranty

Access Fixtures is proud to assemble high quality, long lasting lighting products which are covered by a 5-year warranty. In accordance with our warranty policy, we will offer repair, replacement, or refund for qualifying claims. Please contact our friendly customer service team, located in Worcester, MA, to address any questions or concerns you may have. We can be reached at 800-468-9925 Monday-Friday 9-5 EST or via email at [sales@accessfixtures.com](mailto:sales@accessfixtures.com). Click here to view Access Fixtures' [complete warranty policy](#). Need a Photometric Analysis for MT-03 Single Tenon Slipfitter Wall Mounting Kit Project?

A photometric analysis creates a computer simulation of a particular project. No matter what you are lighting, a photometric analysis is an easy way to quantify light levels before purchasing. When a report is generated, a lighting specialist will walk you through it so you know exactly what you will be receiving. Photometrics include average and minimum footcandles, uniformity ratios, spacing, light trespass info, and more. Plus, the cost of the study is refunded back to you when you purchase the fixtures. Call us at **800-468-9925** for more information about ordering a photometric analysis for your project.

Ready to Order MT-03 Single Tenon Slipfitter Wall Mounting Kit, 2-3/8" Tenon or Speak to a Lighting Specialist?

You can place your order online or if you want additional information, give us a call at **800-468-9925**. Our team of friendly, expert high performance lighting specialists are available to provide what you need to purchase fixtures and

illuminate your project with confidence.

## Product Attributes

- Dimensions: 10 &times; 10 &times; 5 in
- Weight: 5 lbs
- Application: Poles, Brackets, Mounts
- Availability: Typically ships in 2-4 weeks
- Available Finishes: Bronze
- Product Family: MT
- Warranty: 5-Year Limited Warranty