

## CARA 167w Amber LED Area/Wall/Flood, EXTREME-LIFE



**SKU:** AF33XKH45QC1X167\*AM

**Product Tags:** [Area Light](#), [Flood Light](#), [LED](#), [Turtle-Friendly](#), [Wall Pack](#), [Wildlife-Friendly](#)

**Product Page:**

<https://www.accessfixtures.com/p/cara-167w-590nm-amber-led-area-wall-flood-extreme-life/>

### Product Description

CARA 167w 590nm Amber LED Area/Flood/Wall Light, EXTREME-LIFE

### Features:

- 590nm Amber (turtle & wildlife friendly) - 5,717 Lumens - 32 LPW - BUG rating: 2, 2, 1 - Choice of Finish: Bronze or custom RAL colors available upon request - IES Type V distribution - Die-cast aluminum housing and front frame - Nickel-plated stainless steel hardware - Integral heat sinking and driver

compartment - Photocell Adaptable - L70 @ 393,000 hours (EXTREME-LIFE) - CSA listed for wet locations - IP66 sealed LED compartment - Textured architectural bronze powdercoat finish over a chromate conversion coating - Tempered clear flat glass lens - Mounted with arm, adjustable slip fitter, 2<sup>3</sup>/<sub>8</sub>" Diameter Mounting Arm Adapter, yoke, two-piece bracket, or Easy Hang Wall Bracket (factory Installed) - Electronic driver - Narrow Beam (30°) - 120-277v, or 347-480v - 120-277VAC 10KA Surge Suppressor - 347-480VAC 10KA Surge Suppressor - 0-10V Dimming Standard for a Dimming Range of 100% to 10%; Dimming Source Current is 150 Microamps - Operating temperature: -40°C~+50°C environment CARA 167w 590nm Amber LED

#### Area/Flood/Wall Light Options:

- Choice of Finish: Bronze or custom RAL colors available upon request - Motion sensors available for heights of 20-35ft or 18ft or less - Pencil photocell 120-277VAC - Round Pole Adapter. Fits 4" or 6" O.D. Round Poles

Die-cast wall mount adaptor for use with CARA mounting arm only

- All brackets include hardware - Narrow beam (30°) - Motion Sensor IR with Lens, 120-277V Only, for heights up to 40' - Motion Sensor IR with Lens, 120-277V Only, for heights up to 20' - 3-Pin Twist Lock Photocell Receptacle - 5-Pin Twist Lock Photocell Receptacle - 7-Pin ANSI C136.41—2013 Twist Lock Photocell Receptacle - Microwave Sensor with Dimming, 120-277V only - Microwave On/Off Motion Sensor - NO Dimming, 120-277V Only - 120-277VAC Universal Twist Lock Photocell - 480VAC Twist Lock Photocell Access Fixtures

#### Warranty

Access Fixtures is proud to assemble high quality, long lasting lighting products which are covered by a 5-year warranty. In accordance with our warranty policy, we will offer repair, replacement, or refund for qualifying claims. Please contact our friendly customer service team, located in Worcester, MA, to address any questions or concerns you may have. We can be reached at 800-468-9925 Monday-Friday 9-5 EST or via email at [sales@accessfixtures.com](mailto:sales@accessfixtures.com). Click [here](#) to view Access Fixtures' [complete warranty policy](#). Need a Photometric Analysis for Your CARA Area/Flood/Wall Light Project?

A photometric analysis creates a computer simulation of a particular project. No matter what you are lighting, a photometric analysis is an easy way to quantify light levels before purchasing. When a report is generated, a lighting specialist will walk you through it so you know exactly what you will be receiving. Photometric studies include average and minimum footcandles, uniformity ratios, spacing, light trespass info, and more. Plus, the cost of the study is refunded back to you when you purchase the fixtures. Call us at 800-468-9925 for more information about ordering a photometric analysis for your project.

Ready to Order or Speak to a Lighting Specialist?

You can place your order online, [here](#). Or, if you want additional information, give us a call at 800-468-9925. Does your project require multiple fixtures? Ask us about quantity discounts. Our team of friendly expert lighting specialists are available to provide what you need to purchase fixtures and illuminate your project with confidence.

## Product Attributes

- Dimensions: 21 &times; 12 &times; 12 in
- Weight: 12 lbs
- Application: Area Lights, Flood Lights, Turtle Friendly 590nm, Wall Packs, Wildlife Friendly 590nm
- Availability: Typically ships in 7-10 business days
- Light Source: 590nm Amber
- Available Finishes: Bronze
- Housing: Nickel plated stainless steel hardware, Die cast aluminum housing
- Lens: Clear flat tempered glass lens
- Light Source Included: LED Array Included
- Light Source Lumens: 5,717
- Listings: CSA - listed for wet Locations, IP66
- Mounting: Knuckle Mount, Easy-hang wall bracket, Mounting Arm, Slipfitter for 2 3/8

“

- tenons, Two-Piece Swivel Bracket, Yoke Mount/U-Bracket Mount
- Product Family: CARA
- Rated Life: L70 @ 393,000 hours
- Style: Area Lights, LED Wallpacks
- System Watts: 167w
- Voltage: 120v, 208v, 240v, 277v, 347v, 480v
- Warranty: 5-Year Limited Warranty

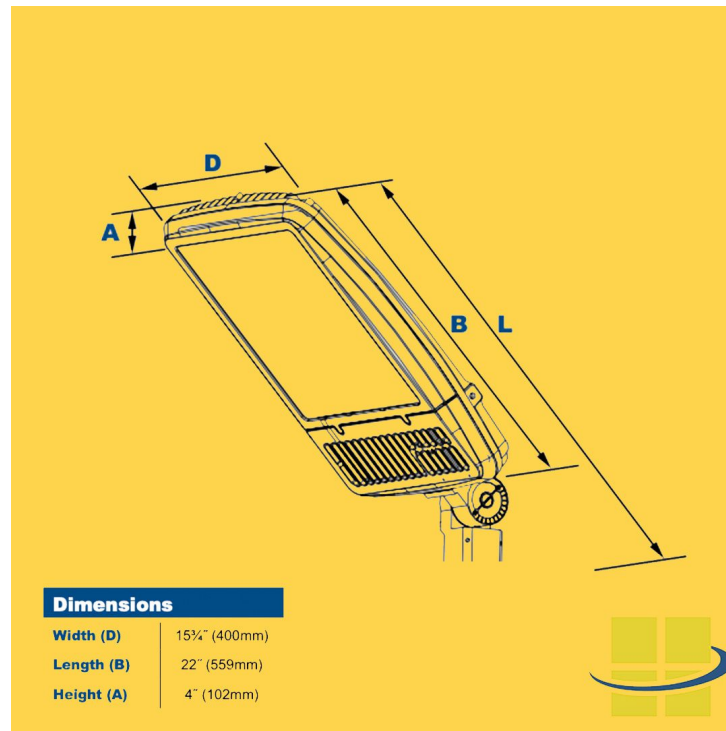
## Product Gallery







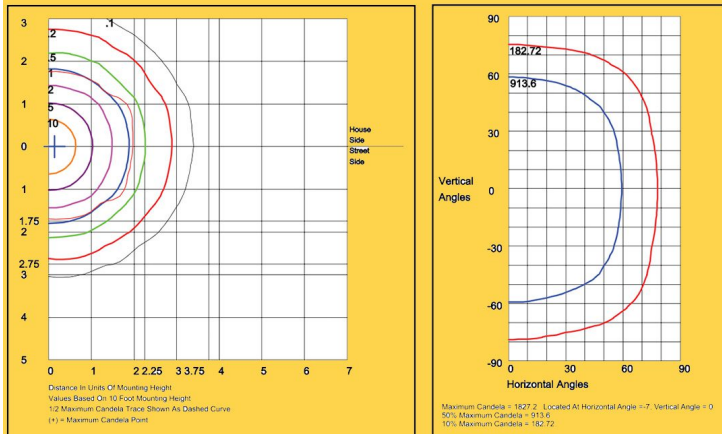




**Dimensions**

<b>Width (D)</b>	15 3/4" (400mm)
<b>Length (B)</b>	22" (559mm)
<b>Height (A)</b>	4" (102mm)





Grid in MH  
 MH=10 Feet

115H x 110V, NEMA 7H x 7V

