

## EMBU 179 High Temperature High Bay, Narrow Beam, Mount at 30-50 ft



**SKU:** AF33XHB44QI1X169U

**Product Tags:** [High Bay](#), [LED](#)

**Product Page:**

<https://www.accessfixtures.com/p/embu-179-high-temperature-high-bay-narrow-beam-mount-at-30-50-ft/>

### Product Description

EMBU 179 High Temperature High Bay, Narrow Beam, Mount at 30-50 ft is engineered for industrial locations with high ambient temperatures and 30- to 50-foot mounting heights.

**High Ambient Temperature:** Engineered for industrial locations with high ambient temperatures up to 122°F.

**High Mounting Heights:** Narrow beam accommodates mounting from 30 to 50 feet.

**Customizable Lens:** Choose an open luminaire or one of four lenses: Clear Glass, Acrylic Conical Lens, Acrylic Drop Lens, or shatter resistant Polycarbonate (impact resistant) Drop Lens

### Features

- Kelvin Temperature - 5000K - Color Rendering Index (CRI) - 80+ - Lumens - 20,292 (delivered lumens vary based on lens selection) - L70 Life: 302,000 hours - Listings - CSA: Listed for damp locations, IP65 sealed LED compartment
- Mounting - 3/4" die cast hook included - Housing - Die-cast aluminum housing with external heat sinks - Heat Management - aluminum boards with large surface area improves heat dispersion, cooler LEDs = longer lifespan and more reliable performance - Finish - Powdercoat over chromate conversion coating.
- Options**
  - Microwave motion sensor - 120-277v or 347-480v - White or custom RAL - Choice of lens: clear glass, acrylic conical lens, acrylic drop lens, polycarbonate drop lens - Surge protection - Emergency battery backup

### Warranty

Access Fixtures is proud to assemble high quality, long lasting lighting products which are covered by a 5-year warranty. In accordance with our warranty policy, we will offer repair, replacement, or refund for qualifying claims. Please contact our friendly customer service team, located in Worcester, MA, to address any questions or concerns you may have. We can be reached at 800-468-9925 Monday-Friday 9-5 EST or via email at [sales@accessfixtures.com](mailto:sales@accessfixtures.com). Click [here](#) to view Access Fixtures' [complete warranty policy](#).

Get a Custom Photometric Analysis for Your EMBU 179 High Temperature High Bay, Narrow Beam, Mount at 30-50 ft Project

A photometric analysis is a custom computer simulation of your particular project. This service provides average footcandles at various heights, max/min (uniformity) ratios, minimum footcandles, light trespass levels, and more. For exacting lighting specifications, a photometric analysis helps you ensure light levels before making a

big purchase. One of our lighting specialist will walk you through the process so you know exactly what you will be receiving. Call us at 800-468-9925 or [customerservice@accessfixtures.com](mailto:customerservice@accessfixtures.com) for more information about ordering a photometric analysis for your project.

Ready to Order EMBU 179 High Temperature High Bay, Narrow Beam, Mount at 30-50 ft or Speak to a Lighting Specialist?

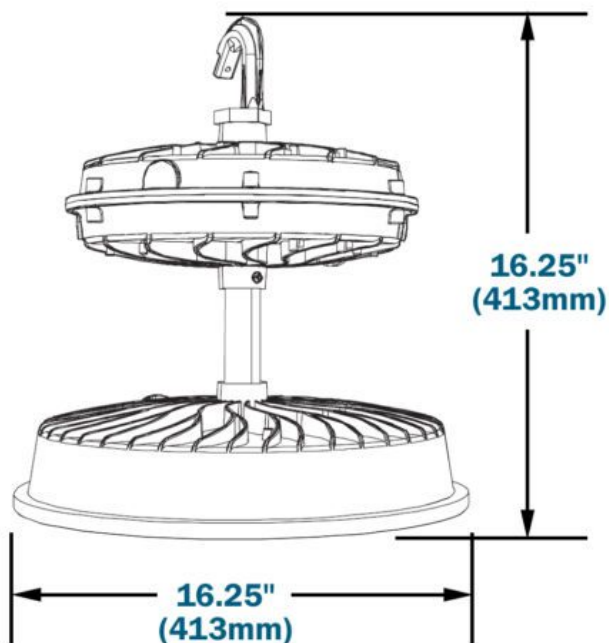
You can place your order online, here. Or, if you want additional information, give us a call at 800-468-9925. Does your project require multiple fixtures? Ask us about quantity discounts. Our team of friendly expert lighting specialists are available to provide what you need to purchase fixtures and illuminate your project with confidence.

## Product Attributes

- Dimensions: 16.25 &times; 16.25 &times; 16.25 in
- Weight: 37 lbs
- Availability: Typically ships in 7-10 business days
- Light Source: 4000K - Cool White, 5000K - Bright White
- Available Finishes: White, Custom RAL
- Ballast/Driver: Electronic 50/60 Hz
- Color Rendering Index (CRI): 80+
- Lens: Acrylic conical lens, Acrylic drop lens, Polycarbonate drop lens, Clear flat tempered glass lens
- Light Source Included: LED Array Included
- Light Source Lumens: 20,292
- Listings: IP65 sealed LED compartment, CSA: Listed for damp locations, DLC Listed
- Mounting: High Bay Hook
- System Watts: 179
- Voltage: 120-277v
- Warranty: 5-Year Limited Warranty

- Rated Life: 302,000 Hours

## Product Gallery



**Clear Flat  
Tempered Glass Lens**



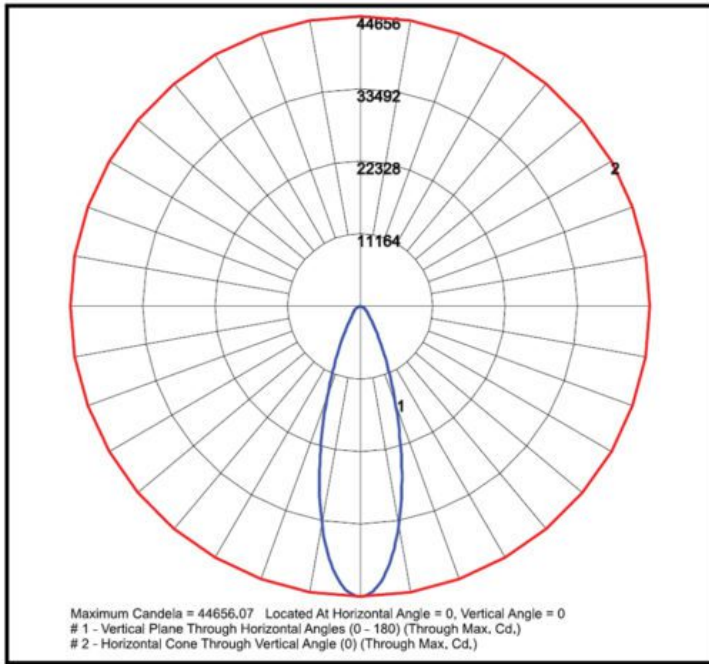
**Acrylic Conical Lens**



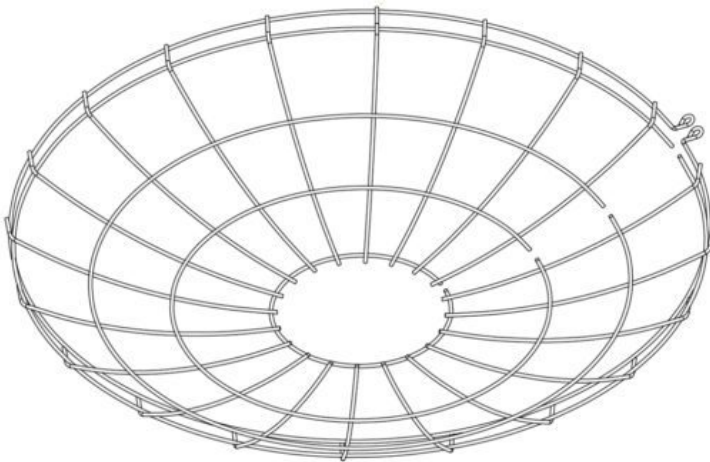
**Acrylic Drop Lens**



**Polycarbonate Drop Lens**



**EMBU 179w Narrow Beam Clear Glass Lens**



**Wire Guard**

