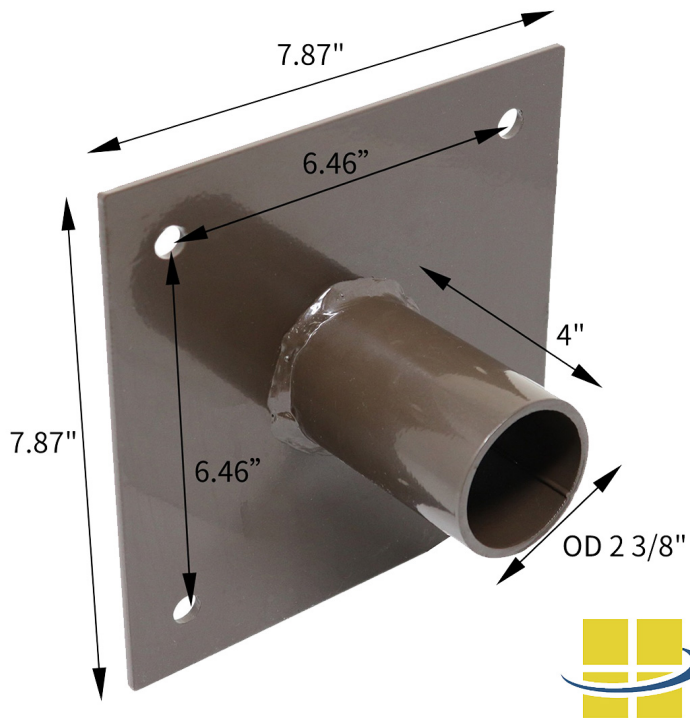


Side Tenon for Wall Mount - Flat Plate, 2-3/8" Outer Diameter



SKU: AF24XVD-SF-WM

Product Page: <https://www.accessfixtures.com/p/side-tenon-flat-plate/>

Product Description

Side Tenon for Wall Mount - Flat Plate, 2-3/8" Outer Diameter Features:
- Outside diameter: 2-3/8" - Rugged steel construction - Mounts on bolt mounts or yoke mounts Access Fixtures Warranty

Access Fixtures is proud to assemble high quality, long lasting lighting products which are covered by a 5-year warranty. In accordance with our warranty policy, we will offer repair, replacement, or refund for qualifying claims. Please contact our friendly customer service team, located in Worcester, MA, to address any questions or concerns you may have. We can be reached at 800-468-9925 Monday-Friday 9-5

EST or via email at sales@accessfixtures.com. Click here to view Access Fixtures' [complete warranty policy](#). Need a Photometric Analysis for Side Tenon for Wall Mount - Flat Plate, 2-3/8" Outer Diameter Project?

A photometric analysis creates a computer simulation of a particular project. No matter what you are lighting, a photometric analysis is an easy way to quantify light levels before purchasing. When a report is generated, a lighting specialist will walk you through it so you know exactly what you will be receiving. Photometrics include average and minimum footcandles, uniformity ratios, spacing, light trespass info, and more. Plus, the cost of the study is refunded back to you when you purchase the fixtures. Call us at **800-468-9925** for more information about ordering a photometric analysis for your project.

Ready to Order Side Tenon for Wall Mount - Flat Plate, 2-3/8" Outer Diameter or Speak to a Lighting Specialist?

You can place your order online or if you want additional information, give us a call at **800-468-9925**. Our team of friendly, expert high performance lighting specialists are available to provide what you need to purchase fixtures and illuminate your project with confidence.

Product Attributes

- Dimensions: 10 × 5 × 5 in
- Weight: 5 lbs
- Application: Poles, Brackets, Mounts
- Availability: Typically ships in 2-4 weeks
- Available Finishes: Bronze
- Product Family: MT
- Warranty: 5-Year Limited Warranty