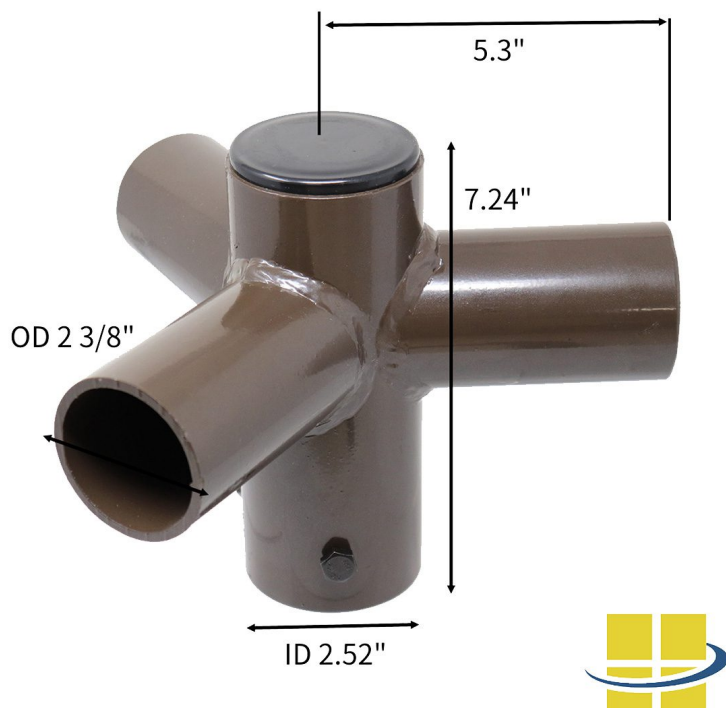


Triple 120 Degree Horizontal Tenon Adapter, 2-3/8 Outside Diameter



SKU: AF24XVD-TN-3-120-RD

Product Page:

<https://www.accessfixtures.com/p/tenn-triple-120-degree-horizontal-tenon-adapter/>

Product Description

Triple 120 Degree Horizontal Tenon Adapter Features:

- Outside diameter: 2-3/8" - Rugged steel construction - Mounts on bolt mounts or yoke mounts Access Fixtures Warranty

Access Fixtures is proud to assemble high quality, long lasting lighting products which are covered by a 5-year warranty. In accordance with our warranty policy, we will offer repair, replacement, or refund for qualifying claims. Please contact our friendly customer service team, located in Worcester, MA, to address any questions

or concerns you may have. We can be reached at 800-468-9925 Monday-Friday 9-5 EST or via email at sales@accessfixtures.com. Click [here](#) to view Access Fixtures' [complete warranty policy](#). Ready to Order Triple 120 Degree Horizontal Tenon Adapter or Speak to a Lighting Specialist?

You can place your order online or if you want additional information, give us a call at **800-468-9925**. Our team of friendly, expert high performance lighting specialists are available to provide what you need to purchase fixtures and illuminate your project with confidence.

Product Attributes

- Dimensions: 10 × 5 × 5 in
- Weight: 5 lbs
- Application: Poles, Brackets, Mounts
- Availability: Typically ships in 7-10 business days
- Available Finishes: Bronze
- Product Family: MT
- Warranty: 5-Year Limited Warranty