

CONA 17w LED Cone Reflector Square Flat Top Bollard Light, 120-277v



SKU: AF33XBOSFRLQF1X15U

Product Tags: [LED](#)

Product Page:

<https://www.accessfixtures.com/p/15w-usa-led-square-bollards-with-aluminum-cone-120v-277v/>

Product Description

CONA 17w LED Cone Reflector Square Flat Top Bollard Light, 120-277v is a popular bollard light fixture with a wide range of features and options.

Extreme Life: This bollard light fixture is L70 rated for over 147,000 hours for years of maintenance free life.

Cone Reflector: This bollard light reflects light down and around the unit in a 360

degree pattern, maximizing efficiency.

Durable Construction: This bollard light features a durable extruded aluminum housing, polycarbonate lens, and IP65 rating.

Features

This bollard light includes:

- Square flat top bollard light with cone reflector - Corrosion-resistant, extruded-aluminum housing - 120-277v compatible - Up to 1,510 lumens - 42" x 7" - 22 lbs - 5 year Access Fixtures warranty Options
- Choice of Finish: Bronze, Black, or custom RAL colors available upon request - Standard (42") or custom height down to 20" - Choice of shipping anchor bolts ahead of time or with bollard light - Choice of aluminum cone reflector or white cone reflector - GCFI Outlet - Surge protection - Choice of 3000K, 4000K, or 5000K - Shielding options - 120-277v or 347v Mounting

CONA 17w LED Cone Reflector Square Flat Top Bollard Light, 120-277v includes all hardware required for mounting:

- 8' steel anchor bolts - Steel mounting templates - Extruded aluminum base plate - Vandal-resistant screws - Lock washers

For more information on general bollard light mounting, please see the installation diagram above or consult our [bollard light installation guide here](#).

Access Fixtures Warranty

Access Fixtures is proud to assemble high quality, long lasting lighting products which are covered by a 5-year warranty. In accordance with our warranty policy, we will offer repair, replacement, or refund for qualifying claims. Please contact our friendly customer service team, located in Worcester, MA, to address any questions or concerns you may have. We can be reached at 800-468-9925 Monday-Friday 9-5 EST or via email at sales@accessfixtures.com. Click here to view Access Fixtures' [complete warranty policy](#). Need a Photometric Analysis for Your CONA 17w LED Cone Reflector Square Flat Top Bollard Light, 120-277v Project?

A photometric analysis creates a computer simulation of a particular project. No matter what you are lighting, a photometric analysis is an easy way to quantify

light levels before purchasing. When a report is generated, a lighting specialist will walk you through it so you know exactly what you will be receiving. Photometrics include average and minimum footcandles, uniformity ratios, spacing, light trespass info, and more. Plus, the cost of the study is refunded back to you when you purchase the fixtures. Call us at **800-468-9925** for more information about ordering a photometric analysis for your project.

Ready to Order CONA 17w LED Cone Reflector Square Flat Top Bollard Light, 120-277v or Speak to a Lighting Specialist?

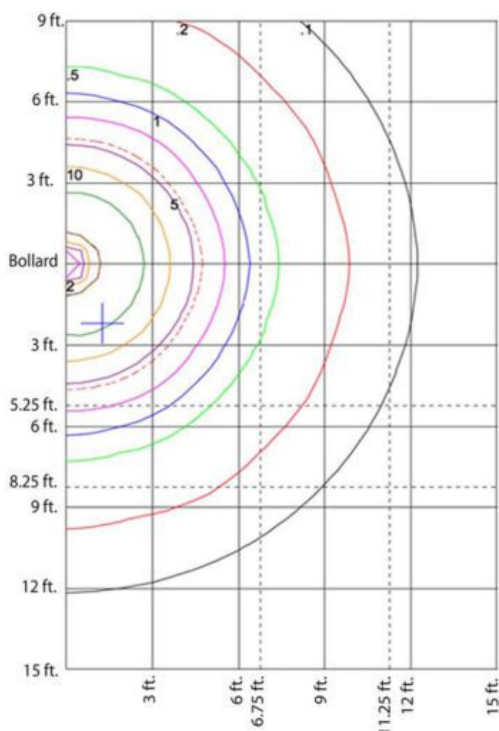
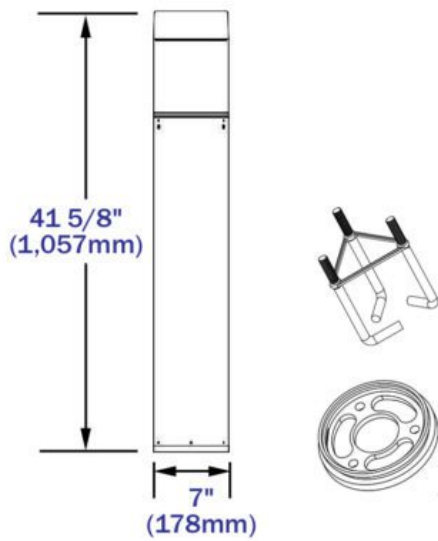
You can place your order online or if you want additional information, give us a call at **800-468-9925**. Our team of friendly, expert high performance lighting specialists are available to provide what you need to purchase fixtures and illuminate your project with confidence.

Product Attributes

- Dimensions: 7 × 7 × 41.375 in
- Weight: 22 lbs
- Availability: Typically ships in 7-10 business days
- Light Source: 3000K - Neutral White, 4000K - Cool White, 5000K - Bright White
- Available Finishes: Black, Bronze, Custom RAL
- Housing: Extruded aluminum housing with flush-mount base and vandal-resistant screws. Internal driver tray.
- Lens: Clear polycarbonate lens
- Light Source Included: LED Array Included
- Light Source Lumens: 1,641
- Listings: CSA - listed for wet Locations, IP65
- Mounting: Mounting kit with anchor bolts Included.
- Rated Life: 147,000 Hours
- Reflector: Cone Reflector
- Size: 7"

- Style: Cone Reflector, Square
- System Watts: 17
- Voltage: 120-277v
- Warranty: 5-Year Limited Warranty

Product Gallery



CONA Bollard Light with a Cone Reflector

1 Footcandle
Up to 6' Away
From the
Bollard Light



| 100w Metal Halide v. 15w LED Bollard | 100w MH | 15w LED |
|--|----------------|---------------|
| Lamp or LED Watts | 100 | 15 |
| System Watts | 129 | 17 |
| Hours | 10,000 | 50,000 |
| Mean Hours | 4,000 | 20,000 |
| Initial Light Source Lumens | 8,500 | 2,089 |
| Light Source Lumens at 4,000 Hours | 5,500 | 1,921 |
| Luminaire Efficacy | 24% | 62% |
| Luminaire Lumens @ 4,000 Hours | 1,320 | 1,191 |
| Lumens per Watt | 10.2 | 70.1 |
| Energy Cost to Operate per Year** | \$74.82 | \$9.86 |

| 15w LED Bollard Compared to 100w MH | | % |
|--|-----------------|-------------|
| Emitted Light (measured in delivered lumens) | -129 | -10% |
| Energy (measured in watts) | -112 | -87% |
| Energy Cost to Operate per Year** | -\$64.96 | -87% |

| 10 Year Savings per LED Bollard | 100w MH | 15w LED |
|--|----------|-----------------|
| Replacement Cost for PSMH Lamps | \$16.70 | n/a |
| Life of Lamp | 10,000 | 50,000 |
| Lamp Replacements Over 10 Years | 5 | 0 |
| Cost of Lamp Replacements | \$83.50 | \$0.00 |
| 10 Year Operating Cost | \$831.70 | \$98.60 |
| 10 Year Savings per 17w LED Bollard | | \$733.10 |

** Based on \$.16/kWh Operating 10 hours/day, 7 days per week



**BUY AMERICAN
ACT COMPLIANT**

