

## HEZE 25 590 Amber LED Small Full Cutoff Wall Pack, 120-277v



**SKU:** AF33XWPC12QF1X22UAM

**Product Tags:** [Dark Sky Friendly](#), [Exterior Lighting](#), [LED Amber](#), [Turtle-Friendly](#), [Wall Pack](#), [Wildlife-Friendly](#)

**Product Page:**

<https://www.accessfixtures.com/p/25w-turtle-friendly-lights-120-277v/>

### Product Description

The HEZE 25 LED Small Turtle Friendly Full Cutoff Wall Pack is 120-277v compatible and a perfect commercial lighting solution for those who need a durable wall pack with amber LEDs.

**Full Cutoff:** The full cutoff design of this wall pack helps to meet local lighting ordinances by minimizing light trespass - also making it neighbor and dark-sky

friendly.

**Turtle and Wildlife Friendly:** The energy efficient monochromatic amber LEDs are turtle and wildlife friendly. Using 590nm follows most coastal light regulations.

**Durable Housing:** Die cast hinged and gasketed aluminum front frame and housing with ½" coin plugs. Nickel-plated stainless steel hardware. Photocell adaptable.

Features:

- 25w integrated LEDs - Tempered clear glass lens - 794 lumens - Die cast aluminum housing - 120-277v - IP65 rated - CSA listed for wet locations, ANSI/UL 1598, 8750 - Dimmable driver - Type 3 optics - 8.875 × 12.50 × 5.75 in - 12 lbs. - Mounts over a 4" recessed outlet box - Mountable at multiple heights
- Options:
- Available in bronze, or custom RAL - Photocell - Optional surge protection

\*Contact us for baffles

## Access Fixtures Warranty

Access Fixtures is proud to assemble high quality, long lasting lighting products which are covered by a 5-year warranty. In accordance with our warranty policy, we will offer repair, replacement, or refund for qualifying claims. Please contact our friendly customer service team, located in Worcester, MA, to address any questions or concerns you may have. We can be reached at 800-468-9925 Monday-Friday 9-5 EST or via email at [sales@accessfixtures.com](mailto:sales@accessfixtures.com). Click [here](#) to view Access Fixtures' [complete warranty policy](#).

Need a Photometric Analysis for Your Lighting project?

A photometric analysis creates a computer simulation of a particular project. No matter what you are lighting, a photometric analysis is an easy way to quantify light levels before purchasing. When a report is generated, a lighting specialist will walk you through it so you know exactly what you will be receiving. Photometrics include average and minimum footcandles, uniformity ratios, spacing, light trespass info, and more. Plus, the cost of the study is refunded back to you when you purchase the fixtures. Call us at 800-468-9925 for more information about ordering a photometric analysis for your project.

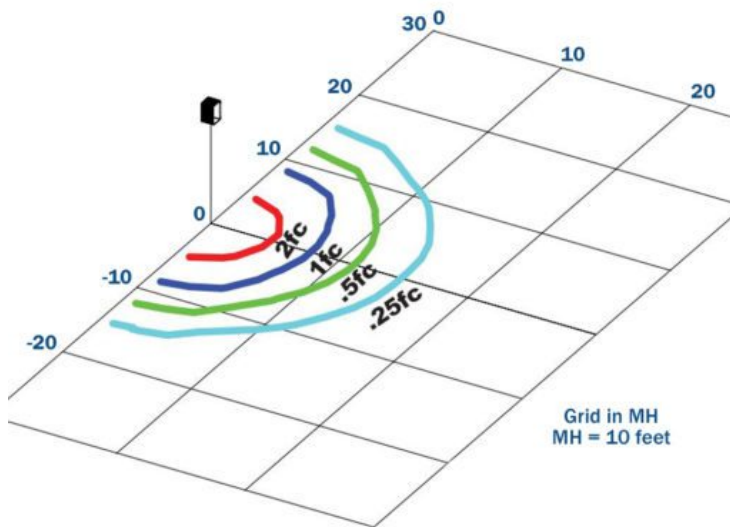
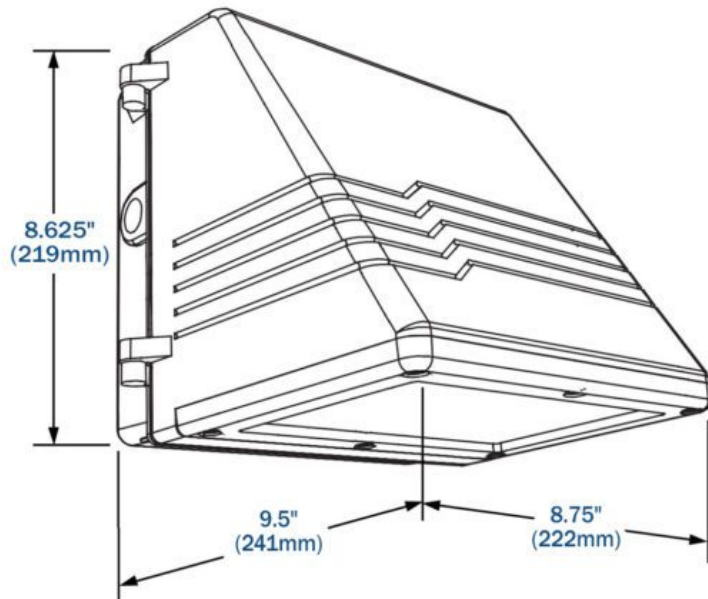
## Ready to Order the HEZE 25 LED Turtle Friendly Full Cutoff Wall Pack, Long Life, 120-277v or Speak to a Lighting Specialist?

If you need some additional information about this fixture, give us a call at 800-468-9925. Of course, you can place your order online, right here, but our team is available to answer any questions that may come up. If your project requires multiple fixtures, ask us about quantity discounts. We are here to provide anything you need to purchase fixtures and illuminate your project with confidence.

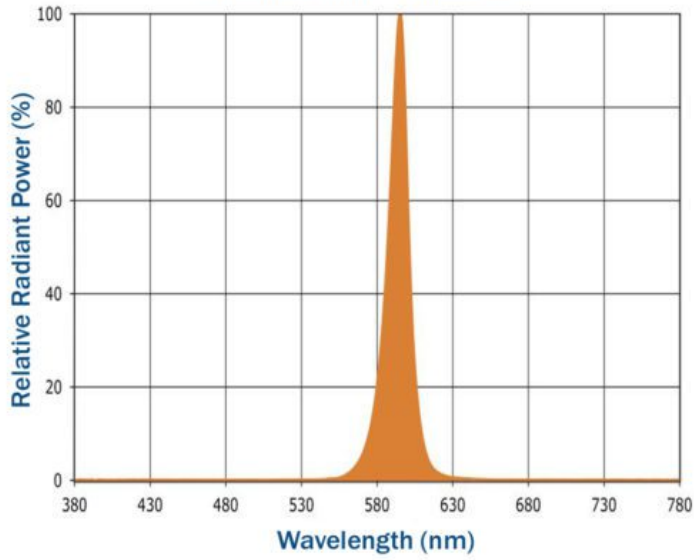
### Product Attributes

- Dimensions: 10 &times; 10 &times; 10 in
- Weight: 15 lbs
- Availability: Typically ships in 7-10 business days
- Available Finishes: Bronze, Custom RAL
- Housing: Gasketed front frame, Nickel plated stainless steel hardware, Die-cast aluminum housing
- Lens: Clear flat tempered glass lens
- Light Source: 590nm Amber
- Light Source Included: LED Array Included
- Light Source Lumens: 794
- Listings: CSA - listed for wet Locations, IP65
- Mounting: Includes template for mounting directly over 4-inch electrical box
- Product Family: HEZE
- Rated Life: 50,000 Hours
- System Watts: 25
- Voltage: 120-277v
- Warranty: 5-Year Limited Warranty
- Style: Full Cutoff

## Product Gallery



Spectral Chart - Amber LED



**BUY AMERICAN  
ACT COMPLIANT**