

BAHZ 60w LED Post-Top Light, Selectable Kelvin: 3K, 4K, 5K



SKU: AF24XC4-PT-60W-MTC

Product Tags: [LED](#), [park lighting](#), [parking lighting](#), [Post Top Lights](#), [street lighting](#)

Product Page:

<https://www.accessfixtures.com/p/bahz-60w-led-post-top-light-selectable-kelvin/>

Product Description

BAHZ 60w LED Post-Top Light Features:

This durable LED post-top light includes:

- 17.9" x 14.1" x 14.1" - 20.7lbs - Selectable Kelvin 3000K, 4000K, or 5000K

Die-cast aluminum housing

- corrosion-resistant powder coat paint finish - UV-stabilized vandal-resistant polycarbonate lens - Super thin round lighting body to provide high light

distribution - Support rods that attach to a 2 3/8" tenon adapter

Slip fitter mount

- fits to 2 3/8" tenon

Built-in photocell

- To disable photocell, put the cap over the lens - UL, CuL, DLC, CE - 120-277v,
50/60Hz - CRI>80+ - IP65 rated

6kV built-in surge protection

- 10kV external surge protection - Corrosion-resistant, heavy-duty-cast
aluminum housing - 7800 lumens - Type V optics - 5-year Access Fixtures

warranty BAHZ 60w LED Post-Top Light Options:

- Selectable 3000K, 4000K, or 5000K BAHZ 60w LED Post-Top Light

Mounting:

BAHZ 60w LED Post-Top Light includes all hardware required for mounting:

- Support rods that attach to a 2 3/8" tenon adapter

Slip fitter mount

- fits to 2 3/8" tenon Access Fixtures Warranty

Access Fixtures is proud to assemble high quality, long lasting lighting products which are covered by a 5-year warranty. In accordance with our warranty policy, we will offer repair, replacement, or refund for qualifying claims. Please contact our friendly customer service team, located in Worcester, MA, to address any questions or concerns you may have. We can be reached at 800-468-9925 Monday-Friday 9-5 EST or via email at sales@accessfixtures.com. Click here to view Access Fixtures' [complete warranty policy](#). Need a Photometric Analysis for Your LED Post-Top Lighting Project?

A photometric analysis creates a computer simulation of a particular project. No matter what you are lighting, a photometric analysis is an easy way to quantify light levels before purchasing. When a report is generated, a lighting specialist will walk you through it so you know exactly what you will be receiving. Photometric studies include average and minimum footcandles, uniformity ratios, spacing, light trespass info, and more. Plus, the cost of the study is refunded back to you when

you purchase the fixtures. Call us at **800-468-9925** for more information about ordering a photometric analysis for your project.

Ready to Order or Speak to a Lighting Specialist?

You can place your order online or if you want additional information, give us a call at **800-468-9925**. Our team of friendly, expert high performance lighting specialists are available to provide what you need to purchase fixtures and illuminate your project with confidence.

Product Attributes

- Dimensions: 18 × 15 × 15 in
- Weight: 21 lbs
- Availability: Typically ships in 7-10 business days
- Light Source: 3000 Kelvin LED Light Fixtures, 4000K - Cool White, 5000K - Bright White
- Available Finishes: Black
- Components: LED Post-Top Luminaire
- Housing: Corrosion resistant heavy duty cast aluminum
- Lens: UV-Stabilized Polycarbonate Opal Vandal-Resistant
- Light Source Lumens: 7800
- Listings: CE, CUL, DLC Listed, IP65, UL
- Mounting: Mounts on 2 3/8" Vertical Tenon
- Product Family: BAHZ
- System Watts: 60
- Voltage: 120v, 208v, 240v, 277v
- Warranty: 5-Year Limited Warranty

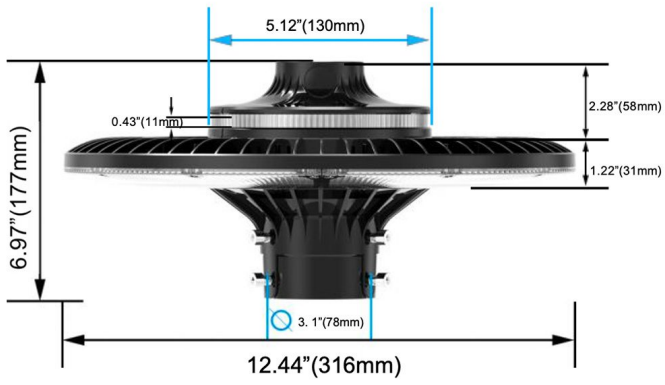
Product Gallery





**A photocell is standard on all BAHZ LED Post Top Lights.
It can be disabled by putting the cap over the photocell lens.**





60~100W

