

## BILT 57 Hazardous Location and Explosion Proof Light, Extreme Life



**SKU:** AF33XHLP15QF57U

**Product Tags:** [LED](#)

**Product Page:**

<https://www.accessfixtures.com/p/bilt-57-hazardous-location-and-explosion-proof-light-extreme-life/>

### Product Description

The BILT 57 Hazardous Location and Explosion Proof Light, Extreme Life is a hazardous location and explosion proof light fixture built to last.

**Explosion Proof:** BILT is Class 1 Division 2 which is suitable for facilities that deal with flammable gases, vapors, and liquids.

**Extreme Life:** This fixture is L70 rated for over 183,000 hours for years of

maintenance free use.

**Mounting Options:** The BILT fixture is available with a ceiling mount, pendant mount, two stanchion mount options, two wall mount arm options, or a yoke mount.

**Features:**

- 64 system watts - Class 1 Division 2 hazardous location rated - Gray powdercoat finish over a chromate conversion coating - 120-277v - Clear tempered glass lens - 140 lumens per watt - Type V optics - -25° to -50°C - 183,000 L70 hours - 0-10v dimmable driver - Rated for wet locations

80+ CRI (learn more about Color Rendering Index [here](#))

- 5-year warranty **Options:**
- Mounting type: suspended mount (standard), ceiling mount, 25° or 90° wall mount arm, 25° or 90° stanchion mount arm, or flood mount (yoke mount) - 4000K or 5000K - Surge protection [Access Fixtures 5-Year Warranty](#)

All Access Fixtures products come with a 5-year warranty. If your product is found to have a manufacturing defect, we will replace components, the entire product, or issue a refund. We stand behind the quality of our products. Our customer service team, located in Worcester, MA, is happy to address any questions, comments, or concerns you may have. Please give us a call at 800-468-9925. Please view Access Fixtures' [return policy](#). Get a Custom Photometric Analysis for Your BILT 57 Hazardous Location and Explosion Proof Light, Extreme Life Project

A photometric analysis is a custom computer simulation of your particular project. This service provides average footcandles at various heights, max/min (uniformity) ratios, minimum footcandles, light trespass levels, and more. For exacting lighting specifications, a photometric analysis helps you ensure light levels before making a big purchase. One of our lighting specialist will walk you through the process so you know exactly what you will be receiving. Call us at 800-468-9925 or [customerservice@accessfixtures.com](mailto:customerservice@accessfixtures.com) for more information about ordering a photometric analysis for your project.

Ready to Order BILT 57 Hazardous Location and Explosion Proof Light, Extreme Life or Speak to a Lighting Specialist?

You can place your order online, [here](#). Or, if you want additional information, give us a call at 800-468-9925. Does your project require multiple fixtures? Ask us about

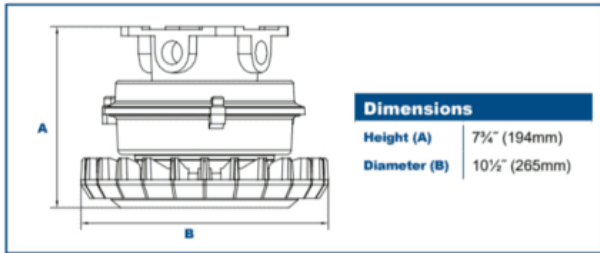
quantity discounts. Our team of friendly expert lighting specialists are available to provide what you need to purchase fixtures and illuminate your project with confidence.

## Product Attributes

- Dimensions: 15 &times; 12 &times; 12 in
- Weight: 30 lbs
- Light Source: 4000K - Cool White, 5000K - Bright White
- Availability: Typically ships in 7-10 business days
- Available Finishes: Gray
- Color Rendering Index (CRI): 80+
- Housing: Powdercoat finish
- Lens: Clear tempered glass lens
- Light Source Included: LED Array Included
- Light Source Lumens: 8,599
- Listings: CSA - listed for wet Locations
- Mounting: Stanchion Mount, Pendant Mount, Surface Mount, Wall Mount, Yoke Mount/U-Bracket Mount
- Product Family: BILT
- Rated Life: 183,000 Hours
- System Watts: 64
- System Watts Filter: 50w - 99w
- Voltage: 120-277v
- Warranty: 5-Year Limited Warranty

## Product Gallery

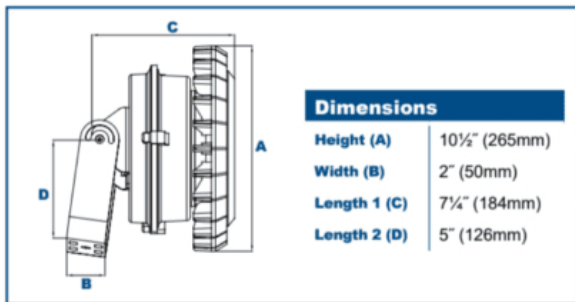
### Ceiling Mount



### Flood



Shown with  
Adjustable Yoke



### Suspended



Dimensions	
Height 1 (A)	6" (154mm)
Height 2 (B)	5¼" (136mm)
Diameter 1 (C)	10½" (265mm)
Diameter 2 (D)	8½" (217mm)

### Stanchion Mounts



**25° Stanchion**

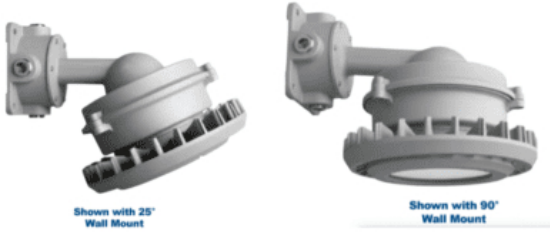
Dimensions	
Height 1 (A)	8½" (216mm)
Length (B)	13½" (343mm)
Width (C)	10½" (265mm)

---

**90° Stanchion**

Dimensions	
Height 1 (A)	7¼" (186mm)
Length (B)	13¼" (338mm)
Width (C)	10½" (265mm)

### Wall Mounts



**25° Wall Mount**

Dimensions	
Height 1 (A)	10" (256mm)
Height 2 (B)	5 1/2" (140mm)
Length (C)	13 1/2" (352mm)
Width (D)	10 1/2" (265mm)

---

**90° Wall Mount**

Dimensions	
Height 1 (A)	9 1/2" (246mm)
Height 2 (B)	5 1/2" (140mm)
Length (C)	13 1/2" (336mm)
Width (D)	10 1/2" (265mm)

