

LUVO 17w 590 Amber LED Louvered Round Flat Top Bollard Light, 120-277v



SKU: AF33XBOFLQFUAM

Product Tags: [Bollard](#), [Exterior Lighting](#), [Exterior Pathway Lighting](#), [LED](#), [LED Amber](#), [LED|LED Amber](#), [Turtle-Friendly](#), [Wildlife-Friendly](#)

Product Page:

<https://www.accessfixtures.com/p/louvered-sea-turtle-lighting-bollard-17w/>

Product Description

The LUVO 17w LED Turtle Friendly Louvered Round Flat Top Bollard Light, 120-277v is a popular bollard light fixture with a wide range of features and options.

Turtle Friendly Amber: This bollard light emits light in 590 nanometers, which turtles and wildlife cannot see.

Louvered Optics: This bollard light reflects light downward, reducing glare for

pedestrians and drivers.

Durable Construction: This bollard light features a durable extruded aluminum housing, polycarbonate lens, and IP65 rating.

Features

This bollard light includes:

- Round flat top bollard light with louvers - Corrosion-resistant, extruded-aluminum housing - 120-277v compatible - Up to 187 lumens - 42" x 7" - 22 lbs - 5 year Access Fixtures warranty Options
- Choice of Finish: Bronze, Black, or custom RAL colors available upon request - Standard (42") or custom height down to 20" - Choice of shipping anchor bolts ahead of time or with bollard light - Surge protection - GCFI outlet Mounting

LUVU 17w LED Turtle Friendly Louvered Round Flat Top Bollard Light, 120-277v includes all hardware required for mounting:

- 8' steel anchor bolts - Steel mounting templates - Extruded aluminum base plate - Vandal-resistant screws - Lock washers

For more information on general bollard light mounting, please see the installation diagram above or consult our [bollard light installation guide here](#).

Access Fixtures 5-Year Warranty

All Access Fixtures packages come with a 5-year warranty. If your product is found to have a manufacturing defect - we will replace components, the entire product, or issue a refund. We stand behind the quality of our products. Our customer service team is happy to help with all your questions or address any concerns. If you have any questions, please give us a call at **800-468-9925**. Please view Access Fixtures' [return policy](#). Need a Photometric Analysis for Your LUVU 17w LED Turtle Friendly Louvered Round Flat Top Bollard Light, 120-277v Project?

A photometric analysis creates a computer simulation of a particular project. No matter what you are lighting, a photometric analysis is an easy way to quantify light levels before purchasing. When a report is generated, a lighting specialist will walk you through it so you know exactly what you will be receiving. Photometrics include average and minimum footcandles, uniformity ratios, spacing, light trespass info, and more. Plus, the cost of the study is refunded back to you when you

purchase the fixtures. Call us at **800-468-9925** for more information about ordering a photometric analysis for your project.

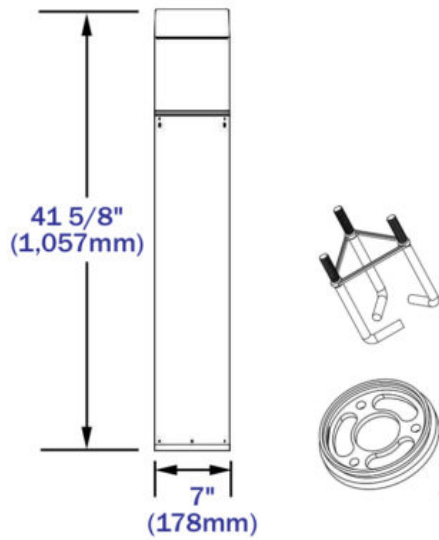
Ready to Order LUVO 17w LED Turtle Friendly Louvered Round Flat Top Bollard Light, 120-277v or Speak to a Lighting Specialist?

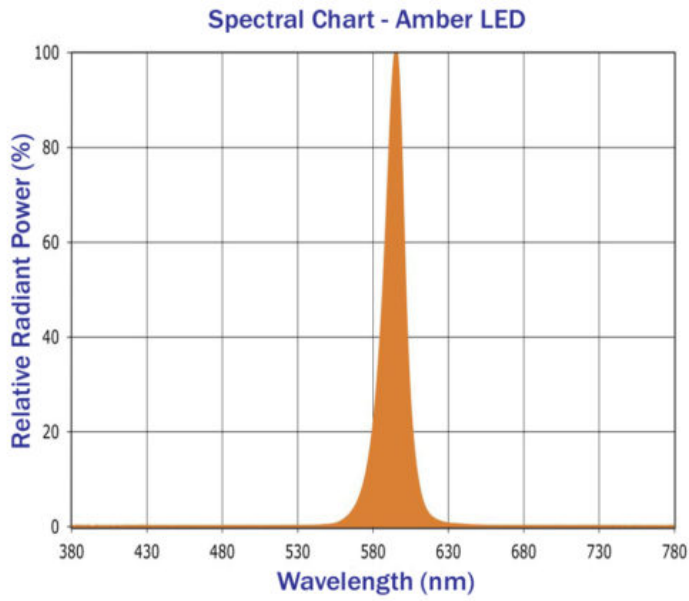
You can place your order online or if you want additional information, give us a call at **800-468-9925**. Our team of friendly, expert high performance lighting specialists are available to provide what you need to purchase fixtures and illuminate your project with confidence.

Product Attributes

- Dimensions: 7 × 7 × 41.625 in
- Weight: 22 lbs
- Availability: Typically ships in 7-10 business days
- Available Finishes: Black, Bronze, Custom RAL
- Housing: Extruded aluminum housing with flush-mount base and vandal-resistant screws. Internal driver tray.
- Lens: Clear polycarbonate lens
- Light Source: 590nm Amber
- Light Source Included: LED Array Included
- Light Source Lumens: 187
- Listings: CSA - listed for wet Locations, IP65
- Mounting: Mounting kit with anchor bolts Included.
- Rated Life: 147,000 Hours
- Reflector: Louvers
- Size: 7"
- Style: Louvers, Round Flat Top
- System Watts: 17
- Voltage: 120-277v
- Warranty: 5-Year Limited Warranty

Product Gallery





120v-277v



**BUY AMERICAN
ACT COMPLIANT**

