

URZA 68w LED Outdoor Post Light, 120-277v



SKU: AF33XPF70Q(F/C)1X65U

Product Tags: [Exterior Lighting](#), [Exterior Pathway Lighting](#), [LED](#)

Product Page:

<https://www.accessfixtures.com/p/urza-68w-led-outdoor-post-light-package-120-277v/>

Product Description

URZA 68w LED Outdoor Post Light, 120-277v is designed for reliability, durability, as well as easy maintenance.

Extreme Life: This fixture is L70 rated at 473,000 hours for years of maintenance free use.

Optics: LED array precisely engineered to provide even illumination while open lens enhances lumen output.

Multiple Options: Choice of options allow you to truly customize this project to meet all your design needs.

Features

URZA 68w LED Outdoor Post Light, 120-277v includes:

- Die-cast aluminum housing - Black powdercoat finish - Open design - Color Rendering Index of 80 - Drivers are 50/60Hz - 120-277v - IP66 Rated - 473,000 hour extreme L70 life - 5 year Access Fixtures warranty Options
- Clear or opalescent low-glare lens - Choice of type V optics or type III optics - 3000K, 4000K, or 5000K - Motion sensor - Photocell - Contact a lighting specialist about custom RAL colors Access Fixtures Warranty

Access Fixtures is proud to assemble high quality, long lasting lighting products which are covered by a 5-year warranty. In accordance with our warranty policy, we will offer repair, replacement, or refund for qualifying claims. Please contact our friendly customer service team, located in Worcester, MA, to address any questions or concerns you may have. We can be reached at 800-468-9925 Monday-Friday 9-5 EST or via email at sales@accessfixtures.com. Click here to view Access Fixtures' [complete warranty policy](#). Need a Photometric Analysis for Your URZA 68w LED Outdoor Post Light, 120-277v Project?

A photometric analysis creates a computer simulation of a particular project. No matter what you are lighting, a photometric analysis is an easy way to quantify light levels before purchasing. When a report is generated, a lighting specialist will walk you through it so you know exactly what you will be receiving. Photometrics include average and minimum footcandles, uniformity ratios, spacing, light trespass info, and more. Plus, the cost of the study is refunded back to you when you purchase the fixtures. Call us at 800-468-9925 for more information about ordering a photometric analysis for your project.

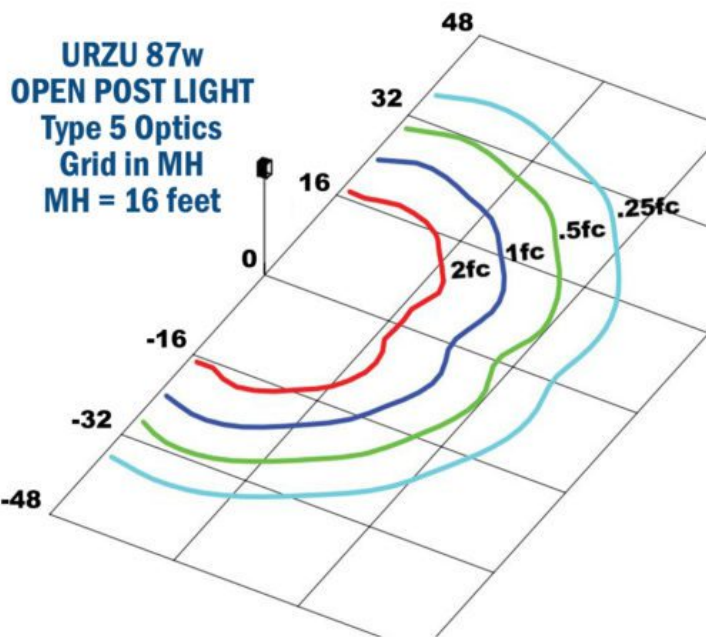
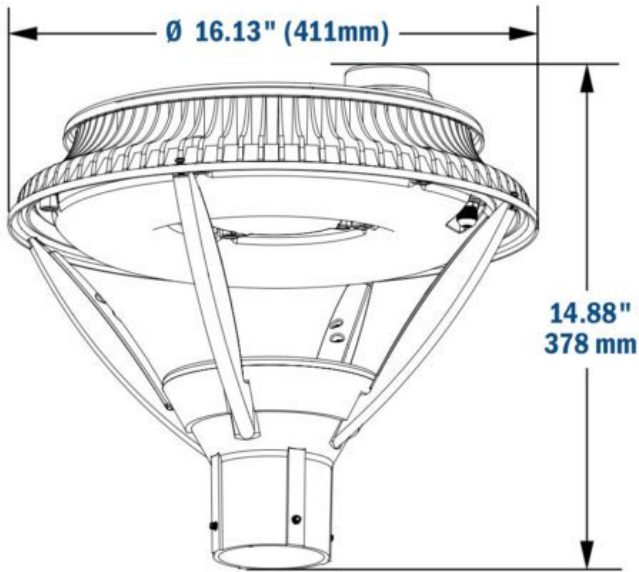
Ready to Order URZA 68w LED Outdoor Post Light, 120-277v or Speak to a Lighting Specialist? You can place your order online or if you want additional information, give us a call at 800-468-9925. Our team of friendly, expert high performance lighting specialists are available to provide what you need to purchase fixtures and illuminate your project with confidence.

Product Attributes

- Dimensions: 28 × 28 × 28 in
- Weight: 50 lbs
- Light Source: 3000K - Neutral White, 4000K - Cool White, 5000K - Bright White
- Available Finishes: Black
- Ballast/Driver: Electronic 50/60 Hz
- Color Rendering Index (CRI): 80+
- Components: LED Post-Top Luminaire
- Housing: Die-Cast Aluminum Housing with Built-In Heat Sink
- Lens: Clear array lens, Opal Array Lens
- Light Source Included: LED Array Included
- Light Source Lumens: 4944
- Listings: IP66, CSA: Listed for wet locations
- Mounting: Round Pole Mount
- Rated Life: 473,000 Hours
- System Watts: 68
- Voltage: 120-277v
- Warranty: 5-Year Limited Warranty
- Availability: Typically ships in 4-6 weeks

Product Gallery

URZA OPEN POST LIGHT





**BUY AMERICAN
ACT COMPLIANT**