

ZIBO 54w LED Wall Pack 120-277v, Extreme Life



SKU: AF33XWP15QF1X50U

Product Tags: [LED](#)

Product Page:

<https://www.accessfixtures.com/p/zibo-54w-led-wall-pack-120-277v-extreme-life/>

Product Description

ZIBO 54w LED wall light, 120-277v is a great choice for commercial, industrial, or hospitality areas requiring durable design and multiple options. The integrated LEDs mean you never have to change a bulb. The die-cast aluminum housing alongside the super durable powder coat finish provide an impact, corrosion, and weather resistant fixture.

Extreme Life: This 120-277v LED wall light is L70 rated at 165,000 hours, ensuring years of maintenance-free usage!

Multiple Options: Choice of color, Kelvin, and other options allows for freedom and flexibility of design.

Prismatic Glass Lens: A prismatic borosilicate glass lens softly diffuses light and prevents glare.

Features:

- 54w integrated LEDs - Die-cast aluminum housing - 120-277v - Aluminum reflector - 7,924 lumens - 165,000 L70 hours - Surface mount or 4" recessed outlet box mounting - CSA and IP65 listed

80+ CRI (learn more about Color Rendering Index here)

- Dimmable driver - 14.25" x 9" x 7.25" in - 15 lbs. - 5 year warranty Options:

Choice of powdercoat finish: Bronze or custom RAL - (learn more here)

Choice of Kelvin (learn more here)

- Choice of battery backup - Choice of surge protection - Optional photocell

Access Fixtures Warranty

Access Fixtures is proud to assemble high quality, long lasting lighting products which are covered by a 5-year warranty. In accordance with our warranty policy, we will offer repair, replacement, or refund for qualifying claims. Please contact our friendly customer service team, located in Worcester, MA, to address any questions or concerns you may have. We can be reached at 800-468-9925 Monday-Friday 9-5 EST or via email at sales@accessfixtures.com. Click here to view Access Fixtures' [complete warranty policy](#). Get a Custom Photometric Analysis for Your ZIBO 54w LED Wall Light Project?

A photometric analysis is a custom computer simulation of your particular project. This service provides average footcandles at various heights, max/min (uniformity) ratios, minimum footcandles, light trespass levels, and more. For exacting lighting specifications, a photometric analysis helps you ensure light levels before making a big purchase. One of our lighting specialist will walk you through the process so you know exactly what you will be receiving. Call us at 800-468-9925 or customerservice@accessfixtures.com for more information about ordering a photometric analysis for your project.

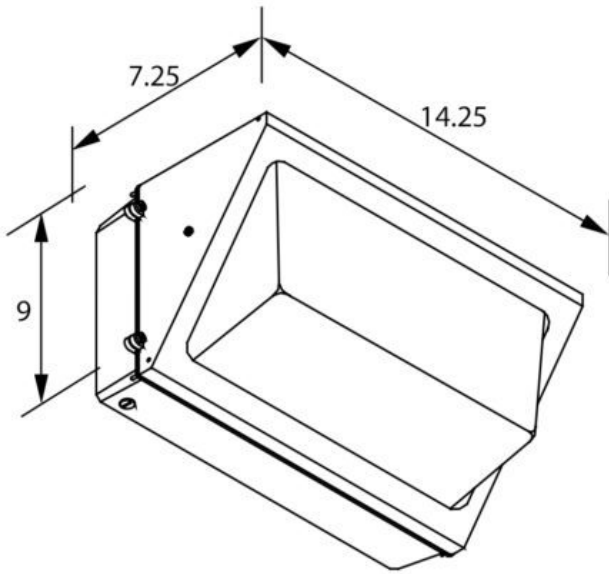
Ready to Order ZIBO 54w LED Wall Light or Speak to a Lighting Specialist?

You can place your order online, here. Or, if you want additional information, give us a call at 800-468-9925. Does your project require multiple fixtures? Ask us about quantity discounts. Our team of friendly expert lighting specialists are available to provide what you need to purchase fixtures and illuminate your project with confidence.

Product Attributes

- Dimensions: 20 × 10 × 10 in
- Weight: 20 lbs
- Available Finishes: Bronze, Custom RAL
- Light Source: 4000K - Cool White, 5000K - Bright White
- Availability: Typically ships in 5-7 business days
- Color Rendering Index (CRI): 80+
- Housing: Die cast aluminum housing
- Lens: Clear prismatic glass lens
- Light Source Included: LED Array Included
- Light Source Lumens: 7924
- Listings: IP65
- Mounting: Includes template for mounting directly over 4-inch electrical box
- Mounting Height: 10 ft., 15 ft., 20 ft.
- Product Family: ZIBO
- Rated Life: 165,000 Hours
- System Watts: 54
- Voltage: 120-277v
- Warranty: 5-Year Limited Warranty
- Style: Forward Throw

Product Gallery



Mounting Height: 16'

