

Competition-Level LED Tennis Package: 4 Poles, 16 Fixtures, 70 AVG FC, 2.14 MAX/MIN



SKU: AF33XCOMPT4X1630450

Product Tags: [Tennis](#)

Product Page:

<https://www.accessfixtures.com/p/4-pole-tennis-with-lights-4-poles-16-fixtures/>

Product Description The Layout

This 4-Pole Tennis with Lights Package is designed for competition-level tennis courts.

The 461w-Watt LED Sport Light Fixtures used in this tennis court package are L70 rated for an astounding 200,000+ hours.

The 4-Pole Tennis with Lights Package uses high-powered, long-lasting LED sport lights. Full specs of each of these fixtures below.

System Wattage: 461

Light Source Wattage: 450

Light Source Lumens: 62,235

Rated Life (L70): 200,000+ Hours

Beam Spread: (4) 60 Degrees, (4) 40-Degrees

Weight: 40.54 Pounds

Dimensions: 30.16" x 24.98" x 2.76"

Housing: Die-cast aluminum housing with corrosion-resistant polyester powder. Finish meets 1,000-hour salt-spray certification per ASTM B117/ISO 9227:2012. Modular LED design with IP67 rating.

Listings: IP67, UL Listed, CuL Listed, RoHS

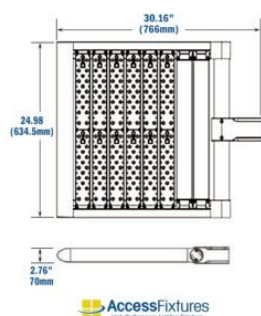
Voltage Compatibility: 120-277v

Dimming: Yes. 1-10v dimming standard in all fixtures.

Warranty: 5-Year Warranty

If you have additional questions about the fixtures used in this package, call us at 800-468-9925.

The Poles



The 461-Watt LED Sport Light Fixtures used in this tennis package have a narrow profile for better suitability in high-wind environments.

The 4-Pole Tennis with Lights Package uses steel poles. We always have the full

specs of each of these poles below. If your tennis court is located in a high-wind area (e.g., Florida, Louisiana, Georgia, the Caribbean), make sure to ask us about EPA ratings and wind tolerances of each setup. Installations in these areas often require poles with thicker walls, materials like aluminum or composite, or tapered designs. Our engineers can provide this data and the necessary poles for any location, but as these changes affect lead time and pricing, it is best to call first.

Pole Height: 30 Feet

Direct Burial or Bolt-In: Bolt-In

Number of Anchor Bolts: 4

Anchor Bolt Dimensions: M22 x 33"

Base Plate Dimensions: 11" (L) x 11" (W), 1" (Thickness)

Base Plate - Anchor Bolt Circle: 10.6"-12" (Diameter)

Gauge: 7-Gauge

Weight: 406 Pounds

Tenon: 2 3/8" Tenon

Finish: Baked-on, textured, architectural bronze finish.

Base Cover: Two-piece steel base cover

Hand Hole: Cast-iron-reinforced hand hole with cover

Specifications: Conforms to ASTM-A 500 Grade B. Minimum yield strength of 46,000 PSI.

For more information about the poles used in this package, call 800-468-9925 or send us an email at customerservice@accessfixtures.com.

The Mounts



The square steel poles used in this package feature textured, architectural bronze finishes. They ship complete with anchor bolts, base covers, base plates, and

mounting templates.

The fixtures in this package utilize built-in slip fitter mounts that make for easy aiming and tilting.

To effectively and securely mount four fixtures on each pole, this package comes with bullhorn brackets (one for each pole). The bullhorns secure to the pole tenon and the fixtures secure to the "horns" of the bullhorn. Bullhorns add two feet to the mounting height of the fixtures.

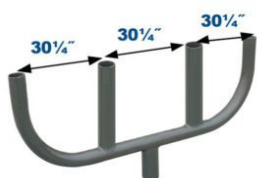
The Lead Time

Everything in this 4-Pole Tennis with Lights Package typically ships in 2-4 weeks. The fixtures are custom-built to order but we are almost always able to meet or beat this estimated window. We'll ship your poles from the factory location closest to you.

Stock does fluctuate, so call 800-468-9925 for an exact lead time.

Do You Have More Questions about the 4-Pole Tennis with Lights Package?

We want to make sure you buy in confidence and select the right court for your particular project. If you have any questions or would like a lighting specialist to walk you through the options, give us a call today. You can also email us at customerservice@accessfixtures.com.



The Four-Light Bullhorn Bracket secures to the 2 3/8" pole tenon and allows you to make the most use out of each pole. It adds 2' to the mounting height of the fixtures, too, which helps improve light distribution.

LED Tennis Court Lighting Packages from Access Fixtures

At Access Fixtures, we want to make illuminating your tennis court(s) as simple as possible. Our lighting specialists, photometric engineers, and designers have all

come together to build comprehensive LED tennis court packages with everything you need to achieve the exact kind of light you need.

Not all tennis courts need the same lighting. We've designed packages for housing authorities in Texas, collegiate and high school courts from Florida to Washington, public courts in New York, backyard courts across the United States and the Caribbean, and just about everything in between; while there are standard layouts, few tennis courts have the same needs. Some require a specific number of poles, a specific pole layout, specific fixtures, and—most often—light levels catered to a specific level of play. We've designed our tennis court packages to fit every tier of play from recreational, club, competition, to NCAA-level tournaments.

Call 800-468-9925 to discuss your project with an Access Fixtures lighting specialist. We look forward to hearing from you. Access Fixtures Warranty

Access Fixtures is proud to assemble high quality, long lasting lighting products which are covered by a 5-year warranty. In accordance with our warranty policy, we will offer repair, replacement, or refund for qualifying claims. Please contact our friendly customer service team, located in Worcester, MA, to address any questions or concerns you may have. We can be reached at 800-468-9925 Monday-Friday 9-5 EST or via email at sales@accessfixtures.com. Click [here](#) to view Access Fixtures' [complete warranty policy](#).

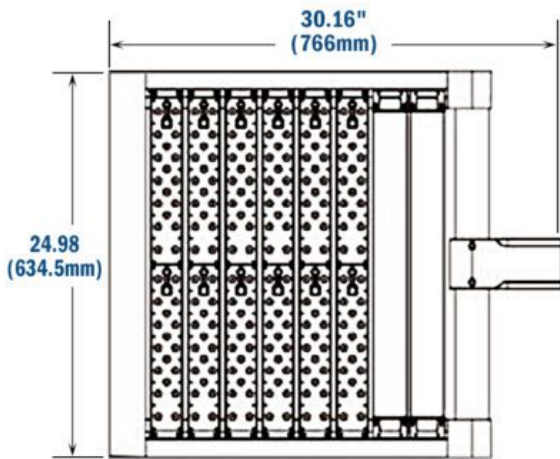
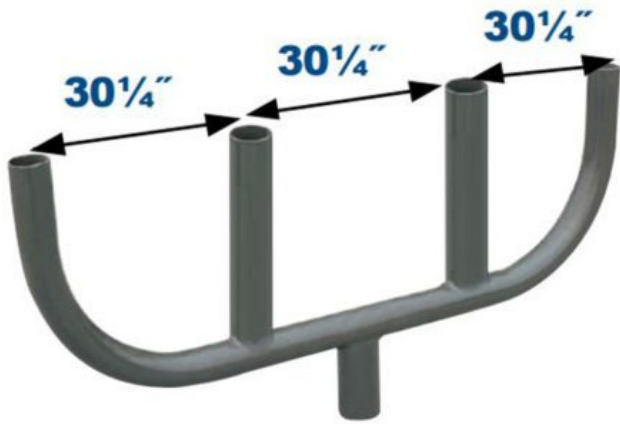
Product Attributes

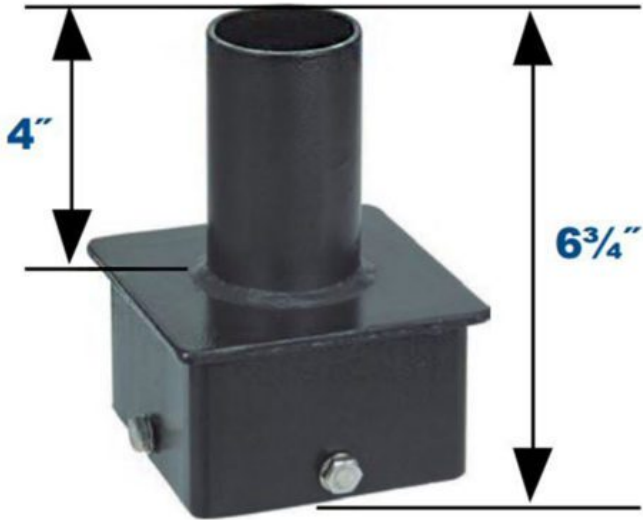
- Dimensions: 30 × 30 × 30 in
- Weight: 100 lbs
- Light Source: 3000K - Neutral White, 4000K - Cool White, 5000K - Bright White
- Availability: Typically ships in 6-8 weeks.
- Ballast/Driver: Electronic 50/60 Hz
- Color Rendering Index (CRI): 70+, 80+, 90+

- Housing: Die-cast aluminum housing with corrosion-resistant polyester powder. Finish meets 1,000-hour salt-spray certification per ASTM B117/ISO 9227:2012. Modular LED design with IP67 rating.
- Listings: IP67, ASTM B117/ISO 9227:2012, CE, CuL Listed, RoHS
- Rated Life: 200,000+ Hours
- Warranty: 5-Year Limited Warranty
- Sports Level of Play: Competition
- Pole Height: 30 Feet
- Number of Poles: 4
- Number of Courts: 1
- Average Footcandles: 70
- Number of Fixtures: 16
- Max/Min Uniformity: 2.14
- Available Finishes: Bronze
- Product Family: APTA, APTI
- Voltage: 120-277v

Product Gallery







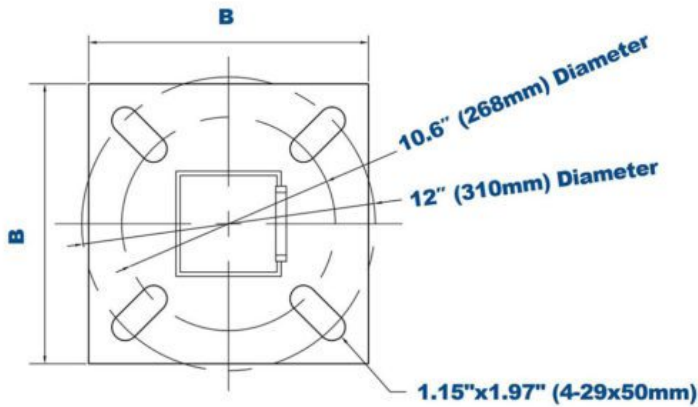
2 3/8" Vertical Tenon

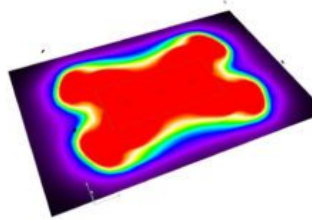
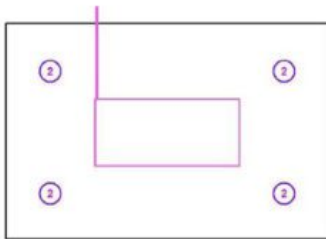
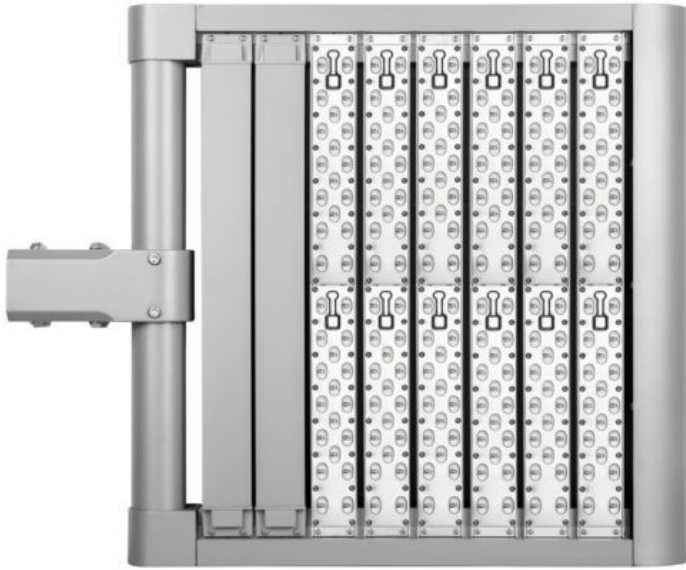


120v-277v



Anchor Bolt Template for 5" Poles





92	89	78	70	65	62	60	58	57	58	58	59	62	64	68	73	83	89
82	84	77	73	68	65	62	61	60	59	60	61	64	68	71	75	81	83
72	78	77	75	71	68	64	63	61	61	62	63	67	70	74	77	77	74
61	72	78	77	74	70	66	64	62	62	63	64	68	73	77	79	76	65
54	70	78	80	76	71	67	64	63	63	64	65	69	73	78	80	75	64
58	71	79	79	76	71	66	64	62	62	63	64	68	73	77	79	75	68
69	78	78	77	73	69	65	63	62	61	62	63	67	70	74	77	78	74
78	82	77	74	70	67	63	62	60	60	61	62	64	67	71	75	80	84
88	86	78	72	67	64	61	59	58	58	58	59	62	64	68	73	83	88
98	91	79	71	64	62	59	57	56	56	57	60	62	66	73	85	95	

Values in Footcandles, Scale 1 : 200

Not all calculated values could be displayed.

Position of surface in external scene:
 Marked point:
 (25.960 ft, 42.039 ft, 0.000 ft)



Grid: 128 x 64 Points

E_{av} [fc]	E_{min} [fc]	E_{max} [fc]	$u0$	E_{min} / E_{max}
70	49	105	0.708	0.467

