

CIRC 13w LED 12.5" Round Bulkhead Wall Pack, 120-277v



SKU: AF33XWPR25OFQF1X12U

Product Tags: [LED](#), [Wall Pack](#)

Product Page:

<https://www.accessfixtures.com/p/circ-13w-led-12-5-round-bulkhead-wall-pack-120-277v/>

Product Description

The CIRC 13w LED 12.5" Round Bulkhead Wall Light, 120-277v offers the same lumen output of a 50w metal halide fixture at a fraction of wattage and more than seven times the lifetime.

Extreme Life: CIRC 13w round wall light runs at only 13 watts and features an impressive L70 rated life of 187,000 hours. This means that after 187,000 hours, this fixture will still emit 70% or greater of its original lumens. That's almost 22

years of sustained light!

Durable Housing: This CIRC features durable precision die-cast aluminum housing construction with a frosted shatter resistant polycarbonate lens for durability, resistance, and the elimination of hot spots. Architectural grade powder coat finish with chromate conversion coating will protect the fixture from corrosion and erosion.

IP67 Rated: This unit can be fully immersed in water for a period of time without any water ingress. Additional certification of being rated for wet locations by the CSA and has been tested to operate -40°F and 104°F.

Features

CIRC 13w LED 12.5" Round Bulkhead Wall Light, 120-277v includes;

- 13w integrated LEDs - (CRI) of 80+ [color rendering index](#)] - 1,792 lumens - IP67 rated - L70 rated life of 187,000 hours - extreme life - Die-cast aluminum housing - 120-277v - Frosted shatter resistant polycarbonate lens - CSA Listed for outdoor use in wet locations - 12.5" x 12.5" x 3.9" - 11 lbs. - Mounts directly onto a surface Options: - Finish: bronze, white or custom RAL - Kelvin temperature: 3000K, 4000K or 5000K ([learn more here](#)) - Battery backup (provides power to a fixture for 90 minutes after an outage) - Photocell - Surge Protector Optional Motion Sensor:

The motion sensor has a detection range of 8-30 feet when the fixture is mounted on the ceiling and 8-12 feet when the fixture is mounted on the wall. It has a number of adjustable options, including:

- Time Delay (5-second, 30-second, 90-second, 3-minute, 20-minute, and 30-minutes) - Detection Motion Speed (2- to 10-feet per second) - Daylight Sensor for Daylight Harvesting - Vacant to Dim Settings (10%, 20%, 30%, 50%) - Vacant Stand-By Delay (5 seconds, 5 minutes, 10 minutes, 30 minutes, and 60 minutes) **Access Fixtures Warranty**

Access Fixtures is proud to assemble high quality, long lasting lighting products which are covered by a 5-year warranty. In accordance with our warranty policy, we will offer repair, replacement, or refund for qualifying claims. Please contact our

friendly customer service team, located in Worcester, MA, to address any questions or concerns you may have. We can be reached at 800-468-9925 Monday-Friday 9-5 EST or via email at sales@accessfixtures.com. Click [here](#) to view Access Fixtures' [complete warranty policy](#). Need a Photometric Analysis for Your CIRC 13w LED 12.5" Round Bulkhead Wall Pack, 120-277v Project?

A photometric analysis creates a computer simulation of a particular project. No matter what you are lighting, a photometric analysis is an easy way to quantify light levels before purchasing. When a report is generated, a lighting specialist will walk you through it so you know exactly what you will be receiving. Photometrics include average and minimum footcandles, uniformity ratios, spacing, light trespass info, and more. Plus, the cost of the study is refunded back to you when you purchase the fixtures. Call us at 800-468-9925 for more information about ordering a photometric analysis for your project.

Ready to Order CIRC 13w LED 12.5" Round Bulkhead Wall Pack, 120-277v or Speak to a Lighting Specialist?

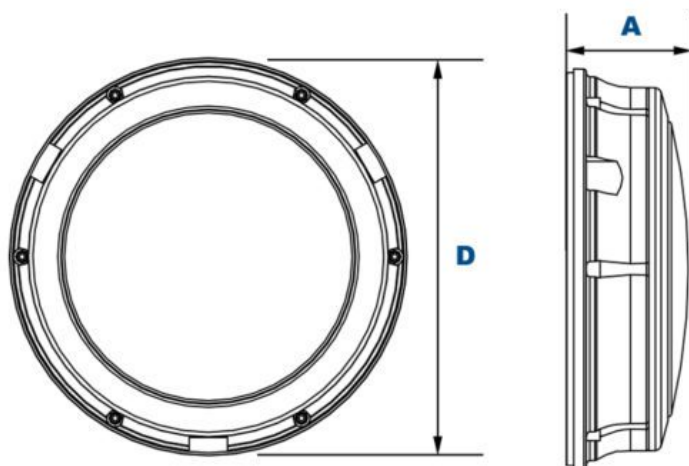
You can place your order online, [here](#). Or, if you want additional information, give us a call at 800-468-9925. Does your project require multiple fixtures? Ask us about quantity discounts. Our team of friendly expert lighting specialists are available to provide what you need to purchase fixtures and illuminate your project with confidence.

Product Attributes

- Dimensions: 15 × 15 × 6 in
- Weight: 15 lbs
- Available Finishes: Bronze, White, Custom RAL
- Light Source: 3000K - Neutral White, 4000K - Cool White, 5000K - Bright White
- Availability: Typically ships in 7-10 business days
- Color Rendering Index (CRI): 80+
- Lens: Opalescent polycarbonate lens

- Light Source Included: LED Array Included
- Light Source Lumens: 1792
- Mounting: Surface Mount
- Product Family: CIRC
- Rated Life: 187,000 Hours
- System Watts: 13
- Voltage: 120-277v
- Warranty: 5-Year Limited Warranty
- Style: Bulkhead

Product Gallery







**BUY AMERICAN
ACT COMPLIANT**