

PIRU 27 590nm Amber LED FWC Certified Pendant Fixture, 120-277v



SKU: AF33XVP53QF1X23UFWC & AF33XVS30S

Product Tags: [Dark Sky Friendly](#), [LED](#), [Turtle-Friendly](#), [Wall Pack](#), [Wildlife-Friendly](#)

Product Page:

<https://www.accessfixtures.com/p/piru-27w-fwc-certified-590nm-led-ceiling-fixture/>

Product Description

Features:

- Extruded aluminum housing - FWC certified - IP66 rated - Type V optics - 120-277v - 1-10v dimmable driver - EXTREME-LIFE L70 @ 187,000 hours - CSA listed - 1485 lumens - Pendant mount - pendant rod and mounting not included

Access Fixtures Warranty

Access Fixtures is proud to assemble high quality, long lasting lighting products

which are covered by a 5-year warranty. In accordance with our warranty policy, we will offer repair, replacement, or refund for qualifying claims. Please contact our friendly customer service team, located in Worcester, MA, to address any questions or concerns you may have. We can be reached at 800-468-9925 Monday-Friday 9-5 EST or via email at sales@accessfixtures.com. Click here to view Access Fixtures' [complete warranty policy](#). Get a Custom Photometric Analysis for Your Project

A photometric analysis is a custom computer simulation of your particular project. This service provides average footcandles at various heights, max/min (uniformity) ratios, minimum footcandles, light trespass levels, and more. For exacting lighting specifications, a photometric analysis helps you ensure light levels before making a big purchase. One of our lighting specialist will walk you through the process so you know exactly what you will be receiving. Call us at 800-468-9925 or customerservice@accessfixtures.com for more information about ordering a photometric analysis for your project.

Ready to Order or Speak to a Lighting Specialist?

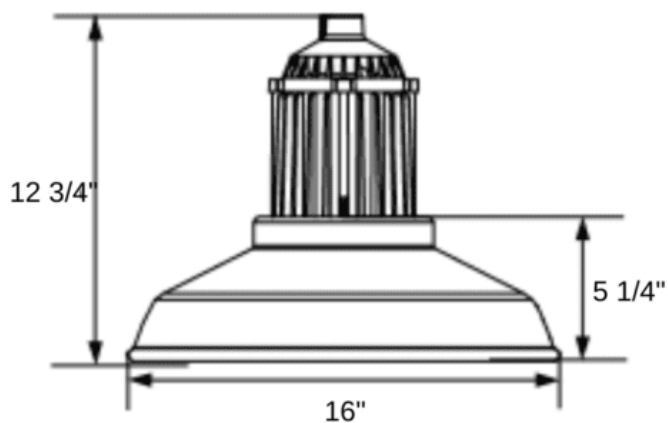
You can place your order online, here. Or, if you want additional information, give us a call at 800-468-9925. Does your project require multiple fixtures? Ask us about quantity discounts. Our team of friendly expert lighting specialists are available to provide what you need to purchase fixtures and illuminate your project with confidence.

Product Attributes

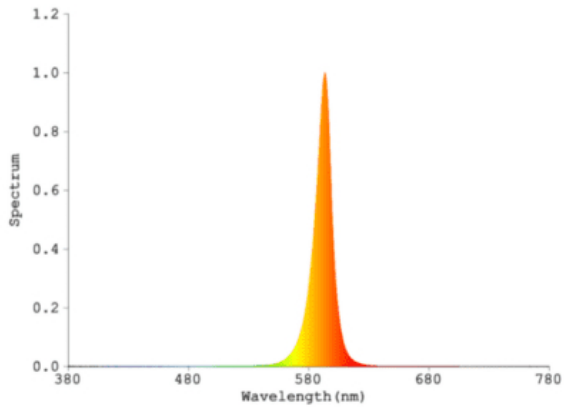
- Dimensions: 19 × 10 × 8 in
- Weight: 17 lbs
- Availability: Typically ships in 7-10 business days
- Available Finishes: Platinum, Custom RAL
- Lens: Clear flat tempered glass lens
- Light Source: 590nm Amber
- Light Source Included: LED Array Included
- Listings: IP66, CSA: Listed for wet locations

- Mounting: Surface Mount
- Mounting Height: 8-12 ft.
- Rated Life: 187,000 Hours
- Housing: Built-in heat sinks, Extruded aluminum housing
- System Watts: 27
- Voltage: 120v, 208v, 240v, 277v
- Warranty: 5-Year Limited Warranty
- Light Source Lumens: 1464
- Buy American Act: BAA Qualified Lights/Poles
- Product Family: PIRU
- Style: Full Cutoff

Product Gallery



590 NANOMETER LED



**BUY AMERICAN
ACT COMPLIANT**