

LUVO 17w LED Turtle Friendly Louvered Round Dome Top Stainless Bollard Light, 120-277v



SKU: AF33XBOLQFUAMSS

Product Tags: [Bollard](#), [Exterior Lighting](#), [Exterior Pathway Lighting](#), [LED](#), [LED Amber](#), [LED|LED Amber](#), [Turtle-Friendly](#), [Wildlife-Friendly](#)

Product Page:

<https://www.accessfixtures.com/p/stainless-steel-louvered-wildlife-lighting-bollard/>

Product Description

The LUVO 17w LED Turtle Friendly Louvered Round Dome Top Stainless Bollard Light, 120-277v is a popular bollard light fixture with a wide range of features and options.

Turtle Friendly Amber: This bollard light emits light in 590 nanometers, which turtles and wildlife cannot see.

Louvered Optics: This bollard light reflects light downward, reducing glare for pedestrians and drivers.

Durable Stainless Steel Construction: This bollard light features a rugged stainless steel housing, polycarbonate lens, and IP65 rating.

Features

This bollard light includes:

- Round dome top bollard light with louvers - Rugged stainless steel housing - 120-277v compatible - Up to 187 lumens - 42" x 7" - 32 lbs - 5 year Access Fixtures warranty Options
- Standard (42") or custom height down to 20" - Choice of shipping anchor bolts ahead of time or with bollard light - Surge protection - GCFI outlet

Mounting

LUVU 17w LED Turtle Friendly Louvered Round Dome Top Stainless Bollard Light, 120-277v includes all hardware required for mounting:

- 8' steel anchor bolts - Steel mounting templates - Extruded aluminum base plate - Vandal-resistant screws - Lock washers

For more information on general bollard light mounting, please see the installation diagram above or consult our [bollard light installation guide here](#).

Access Fixtures 5-Year Warranty

All Access Fixtures packages come with a 5-year warranty. If your product is found to have a manufacturing defect - we will replace components, the entire product, or issue a refund. We stand behind the quality of our products. Our customer service team is happy to help with all your questions or address any concerns. If you have any questions, please give us a call at **800-468-9925**. Please view Access Fixtures' [return policy](#). Need a Photometric Analysis for Your LUVU 17w LED Turtle Friendly Louvered Round Dome Top Stainless Bollard Light, 120-277v Project?

A photometric analysis creates a computer simulation of a particular project. No matter what you are lighting, a photometric analysis is an easy way to quantify light levels before purchasing. When a report is generated, a lighting specialist will walk you through it so you know exactly what you will be receiving. Photometrics include average and minimum footcandles, uniformity ratios, spacing, light trespass

info, and more. Plus, the cost of the study is refunded back to you when you purchase the fixtures. Call us at **800-468-9925** for more information about ordering a photometric analysis for your project.

Ready to Order LUVO 17w LED Turtle Friendly Louvered Round Dome Top Stainless Bollard Light, 120-277v or Speak to a Lighting Specialist?

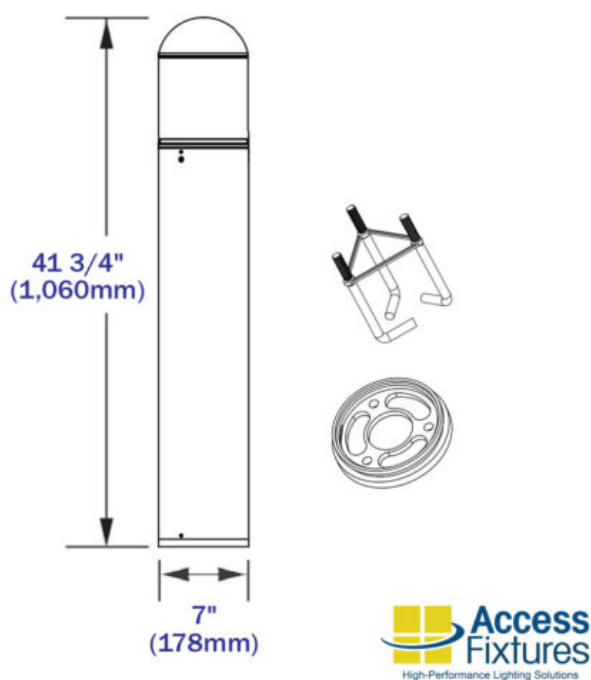
You can place your order online or if you want additional information, give us a call at **800-468-9925**. Our team of friendly, expert high performance lighting specialists are available to provide what you need to purchase fixtures and illuminate your project with confidence.

Product Attributes

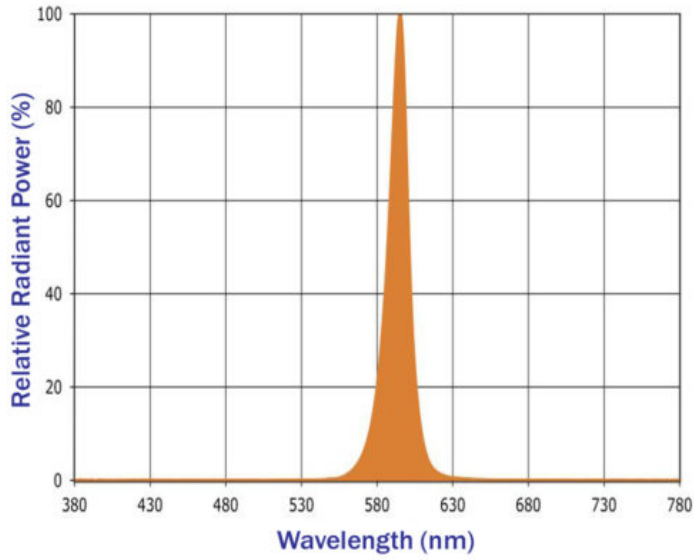
- Dimensions: 7 × 7 × 41.75 in
- Weight: 31 lbs
- Availability: Typically ships in 7-10 business days
- Available Finishes: Stainless Steel
- Color Temperature (K): Amber 590nm
- Color Temperature Filter: Amber LED
- Housing: Formed 316 stainless steel housing with flush-mount base, and vandal-resistant screws.
- Lens: Clear polycarbonate lens
- LED Type: LED Array
- Light Source: Turtle & Wildlife Friendly
- Light Source Included: LED Array Included
- Light Source Lumens: 187
- Listings: CSA - listed for wet Locations, IP65
- Mounting: Mounting kit with anchor bolts Included.
- Rated Life: 147,000 Hours
- Reflector: Louvers
- Size: 7"
- Style: Louvers, Round Dome Top

- System Watts Filter: 1w - 19w
- System Watts: 17
- Voltage: 120-277v
- Warranty: 5-Year Warranty

Product Gallery



Spectral Chart - Amber LED



120v-277v

Product data have been exported from - [Access Fixtures](#)

Export date: Sat Jan 25 5:36:30 2020 / +0000 GMT