

TEFA 17w 590 Amber LED Prismatic Glass Square Bollard Light, 120-277v



SKU: AF33XBOSFG5QF1X15HA

Product Tags: [Bollard](#), [Exterior Lighting](#), [Exterior Pathway Lighting](#), [LED](#), [LED Amber](#), [LED|LED Amber](#), [Turtle-Friendly](#), [Wildlife-Friendly](#)

Product Page: <https://www.accessfixtures.com/p/turtle-friendly-lighting-bollard-sft/>

Product Description

The TEFA 17w LED Turtle Friendly Prismatic Glass Square Flat Top Bollard Light, 120-277v is a bollard light fixture with a wide range of features and options.

Turtle Friendly Amber: This bollard light fixture emits light in 590 nanometers, which cannot be seen by turtles and other wildlife, but appears amber to humans.

Prismatic Glass: The TEFA 17w LED Turtle Friendly Prismatic Glass Square Flat Top Bollard Light, 120-277v has a prismatic glass lens which reflects light in a softly

diffused pattern.

Square Flat Top Design: This bollard light features an architectural square flat top design perfect for all types of outdoor applications.

Features

TEFA 17w LED Turtle Friendly Prismatic Glass Square Flat Top Bollard Light, 120-277v includes:

- Square flat top bollard light with prismatic glass lens - Integrated 17w amber LED arrays - Corrosion-resistant, extruded-aluminum housing - 120-277v compatible - Accepts most A19 and A21 lamps - 42" x 7" - Dimmable driver - IP65 rating - 272 lumens - 27 lbs - 5 year Access Fixtures warranty - ANSI/UL 1598, 8750 Options
- Choice of Finish: Bronze, Black, or custom RAL colors available upon request - Standard (42") or custom height down to 20" - Choice of shipping anchor bolts ahead of time or with bollard light - Surge protection - Battery backup

Mounting

TEFA 17w LED Turtle Friendly Prismatic Glass Square Flat Top Bollard Light, 120-277v includes all hardware required for mounting:

- 8' steel anchor bolts - Steel mounting templates - Extruded aluminum base plate - Vandal-resistant screws - Lock washers

For more information on general bollard light mounting, please see the installation diagram above or consult our [bollard light installation guide here](#).

Access Fixtures Warranty

Access Fixtures is proud to assemble high quality, long lasting lighting products which are covered by a 5-year warranty. In accordance with our warranty policy, we will offer repair, replacement, or refund for qualifying claims. Please contact our friendly customer service team, located in Worcester, MA, to address any questions or concerns you may have. We can be reached at 800-468-9925 Monday-Friday 9-5 EST or via email at sales@accessfixtures.com. Click here to view Access Fixtures' [complete warranty policy](#). Need a Photometric Analysis for Your TEFA 17w LED Turtle Friendly Prismatic Glass Square Flat Top Bollard Light, 120-277v Project?

A photometric analysis creates a computer simulation of a particular project. No matter what you are lighting, a photometric analysis is an easy way to quantify light levels before purchasing. When a report is generated, a lighting specialist will walk you through it so you know exactly what you will be receiving. Photometrics include average and minimum footcandles, uniformity ratios, spacing, light trespass info, and more. Plus, the cost of the study is refunded back to you when you purchase the fixtures. Call us at **800-468-9925** for more information about ordering a photometric analysis for your project.

Ready to Order TEFA 17w LED Turtle Friendly Prismatic Glass Square Flat Top Bollard Light, 120-277v or Speak to a Lighting Specialist?

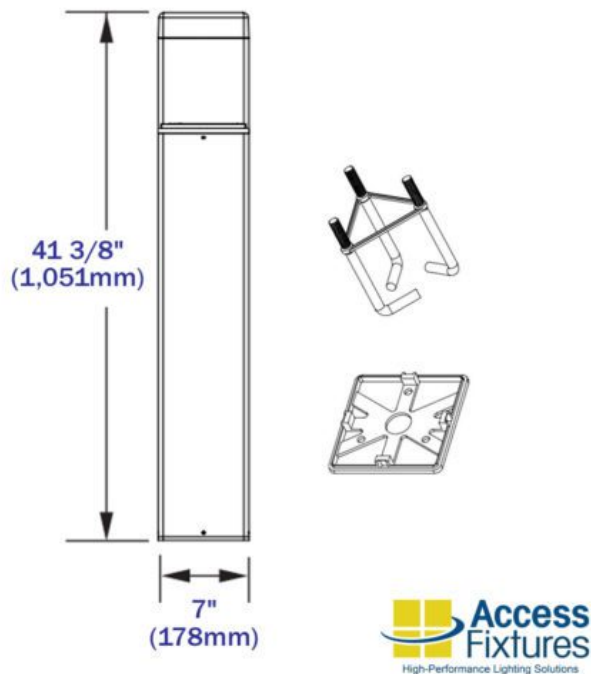
You can place your order online or if you want additional information, give us a call at **800-468-9925**. Our team of friendly, expert high performance lighting specialists are available to provide what you need to purchase fixtures and illuminate your project with confidence.

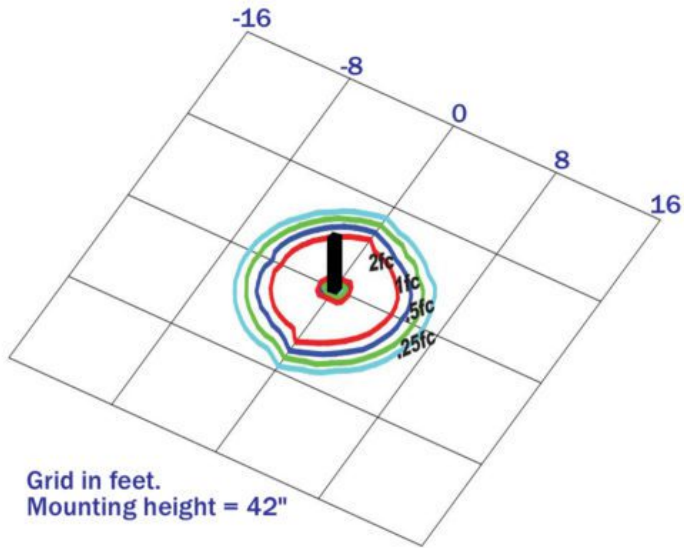
Product Attributes

- Dimensions: 7 × 7 × 41.375 in
- Weight: 22 lbs
- Availability: Typically ships in 7-10 business days
- Available Finishes: Black, Bronze, Custom RAL
- Housing: Extruded aluminum housing with flush-mount base and vandal-resistant screws. Internal driver tray.
- Lens: Clear polycarbonate lens
- Light Source: 590nm Amber
- Light Source Included: LED Array Included
- Light Source Lumens: 272
- Listings: CSA - listed for wet Locations, IP65
- Mounting: Mounting kit with anchor bolts Included.
- Rated Life: 147,000 Hours
- Reflector: Prismatic Glass

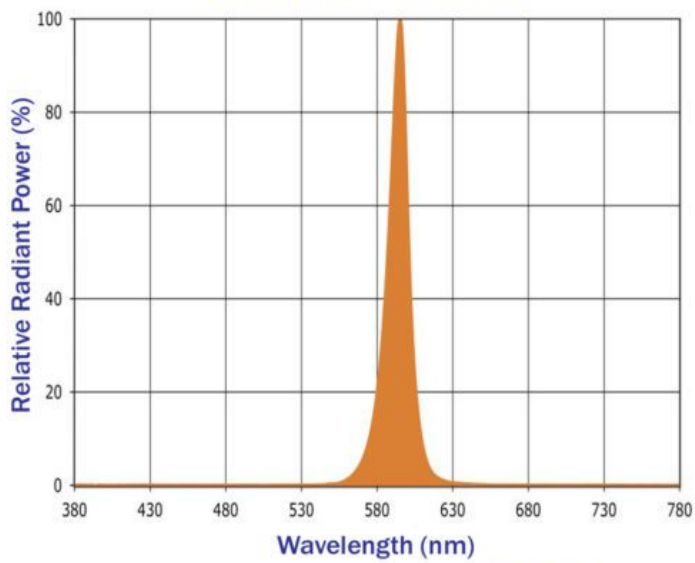
- Size: 7"
- Style: Prismatic Glass, Square
- System Watts Filter: 1w - 19w
- System Watts: 17
- Voltage: 120-277v
- Warranty: 5-Year Limited Warranty

Product Gallery





Spectral Chart - Amber LED



120v-277v





**BUY AMERICAN
ACT COMPLIANT**