



Club-Level LED Tennis Package: 8 Poles, 8 Fixtures, 40 AVG FC, 1.82 MAX/MIN



SKU: AF33XCLUBT8X825450

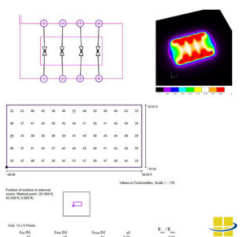
Product Tags: [Tennis](#)

Product Page:

<https://www.accessfixtures.com/p/461w-led-tennis-lights-8-poles-8-fixtures/>

Product Description The Layout

This 461w LED Tennis Lights package is designed for club-level tennis courts.



To have an Access Fixtures lighting specialist walk you through the complete photometric report, call us at 800-468-9925.

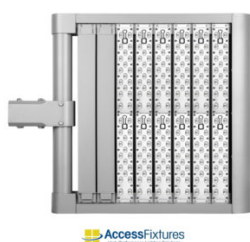
It is designed for standard 78' x 36' tennis courts with 21' serving areas and 12' between the doubles line and the edge of the court.

This package has four poles on either side of the court. Poles are set 5 feet off of the court.

Read below for more information about the light levels, poles, mounts, and fixtures used in this 461w LED Tennis Lights Package.

The Light Levels

Tennis clubs often host players from all levels of the National Tennis Rating Program (NTRP), including those who are just learning and have not yet been ranked. These clubs almost always work with one or a few professionals who help make sure the needs of the club are met. Tennis clubs across the country need to be able to attract all levels of players; the lighting package must do the same. This 461w LED Tennis Lights Package illuminates the playing area of the court to an average of 40 foot candles. It achieves a maximum foot candle reading of 51 and does not go below 28 foot candles. It achieves a max/min (uniformity) ratio of 1.82, which means its light is evenly spread across the entire playing area.



These fixtures are also designed for easy maintenance. Each of the LED modules (or "bricks") in these fixtures can be individually replaced.

The Fixtures

The 461w LED Tennis Lights Package uses high-powered, long-lasting LED sport lights. Full specs of each of these fixtures below.

System Wattage: 461

Light Source Wattage: 450

Light Source Lumens: 62,235

Rated Life (L70): 200,000+ Hours

Beam Spread: 60 Degrees

Weight: 40.54 Pounds

Dimensions: 30.16" x 24.98" x 2.76"

Housing: Die-cast aluminum housing with corrosion-resistant polyester powder. Finish meets 1,000-hour salt-spray certification per ASTM B117/ISO 9227:2012. Modular LED design with IP67 rating.

Listings: IP67, UL Listed, CuL Listed, RoHS

Voltage Compatibility: 120-277v

Dimming: Yes. 1-10v dimming standard in all fixtures.



The 461w-Watt LED Sport Light Fixtures used in this tennis court package are L70 rated for an astounding 200,000+ hours.

Warranty: 5-Year Warranty

If you have additional questions about the fixtures used in this package, call us at 800-468-9925.

The Poles

The 461w LED Tennis Lights Package uses steel poles. We always have the full specs of each of these poles below. If your tennis court is located in a high-wind area (e.g., Florida, Louisiana, Georgia, the Caribbean), make sure to ask us about EPA ratings and wind tolerances of each setup. Installations in these areas often require poles with thicker walls, materials like aluminum or composite, or tapered

designs. Our engineers can provide this data and the necessary poles for any location, but as these changes affect lead time and pricing, it is best to call first.

Pole Height: 25 Feet

Direct Burial or Bolt-In: Bolt-In

Number of Anchor Bolts: 4

Anchor Bolt Dimensions: M22 x 33"

Base Plate Dimensions: 10.5" (L) x 10.5" (W), .75" (Thickness)

Base Plate - Anchor Bolt Circle: 8"-11" (Diameter)

Gauge: 7-Gauge

Weight: 256 Pounds



The square steel poles used in this package feature textured, architectural bronze finishes. They ship complete with anchor bolts, base covers, base plates, and mounting templates.

Tenon: 2 $\frac{3}{8}$ " Tenon

Finish: Baked-on, textured, architectural bronze finish.

Base Cover: Two-piece steel base cover

Hand Hole: Cast-iron-reinforced hand hole with cover

Specifications: Conforms to ASTM-A 500 Grade B. Minimum yield strength of 46,000 PSI.

For more information about the poles used in this package, call 800-468-9925 or send us an email at customerservice@accessfixtures.com.

The Mounts

The fixtures in this package utilize built-in slip fitter mounts that make for easy aiming and tilting.

The Lead Time

Everything in this 461w LED Tennis Lights Package typically ships in 2-4 weeks. The fixtures are custom-built to order but we are almost always able to meet or beat this estimated window. We'll ship your poles from the factory location closest to you.

Stock does fluctuate, so call 800-468-9925 for an exact lead time.

Do You Have More Questions about the 461w LED Tennis Lights Package?



The LED Sport Light Fixtures you'll receive are custom built with specific beam spreads required for this tennis package.

We want to make sure you buy in confidence and select the right court for your particular project. If you have any questions or would like a lighting specialist to walk you through the options, give us a call today. You can also email us at customerservice@accessfixtures.com.

LED Tennis Court Lighting Packages from Access Fixtures

At Access Fixtures, we want to make illuminating your tennis court(s) as simple as possible. Our lighting specialists, photometric engineers, and designers have all come together to build comprehensive LED tennis court packages with everything you need to achieve the exact kind of light you need.

Not all tennis courts need the same lighting. We've designed packages for housing authorities in Texas, collegiate and high school courts from Florida to Washington, public courts in New York, backyard courts across the United States and the Caribbean, and just about everything in between; while there are standard layouts, few tennis courts have the same needs. Some require a specific number of poles, a specific pole layout, specific fixtures, and—most often—light levels catered to a

specific level of play. We've designed our tennis court packages to fit every tier of play from recreational, club, competition, to NCAA-level tournaments.

Call 800-468-9925 to discuss your project with an Access Fixtures lighting specialist. We look forward to hearing from you.

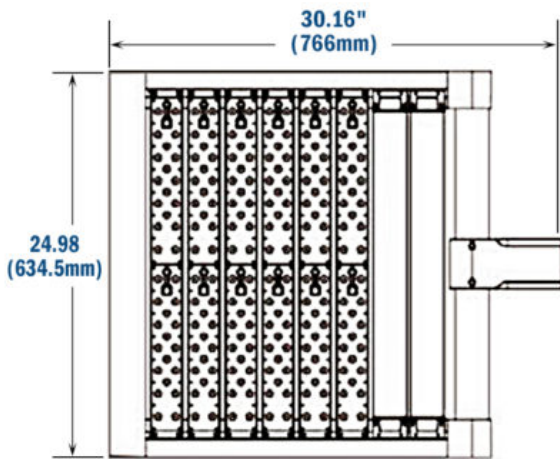
Product Attributes

- Dimensions: 30 × 30 × 30 in
- Weight: 100 lbs
- Light Source: 3000K - Neutral White, 4000K - Cool White, 5000K - Bright White
- Availability: Typically ships in 6-8 weeks.
- Ballast/Driver: Electronic 50/60 Hz
- Color Rendering Index (CRI): 70+, 80+, 90+
- Housing: Die-cast aluminum housing with corrosion-resistant polyester powder. Finish meets 1,000-hour salt-spray certification per ASTM B117/ISO 9227:2012. Modular LED design with IP67 rating.
- Listings: IP67, CuL Listed, RoHS, UL Listed
- Rated Life: 200,000+ Hours
- Warranty: 5-Year Limited Warranty
- Sports Level of Play: Club
- Number of Poles: 8
- Pole Height: 25 Feet
- Number of Courts: 1
- Average Footcandles: 40
- Number of Fixtures: 8
- Max/Min Uniformity: 1.82

Product Gallery



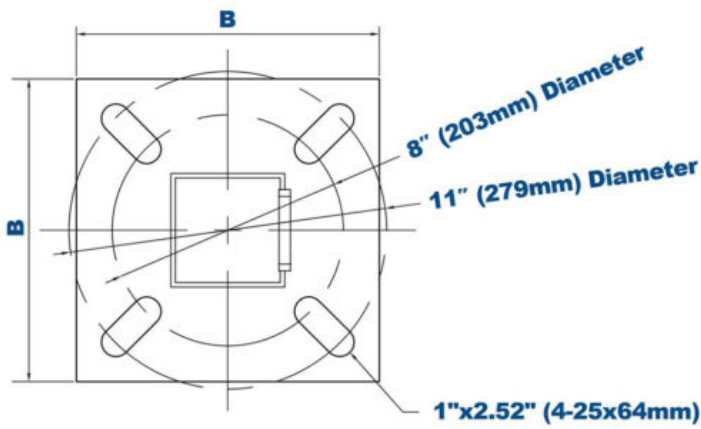
Slip Fitter Mount
fits over 2 3/8" tenon

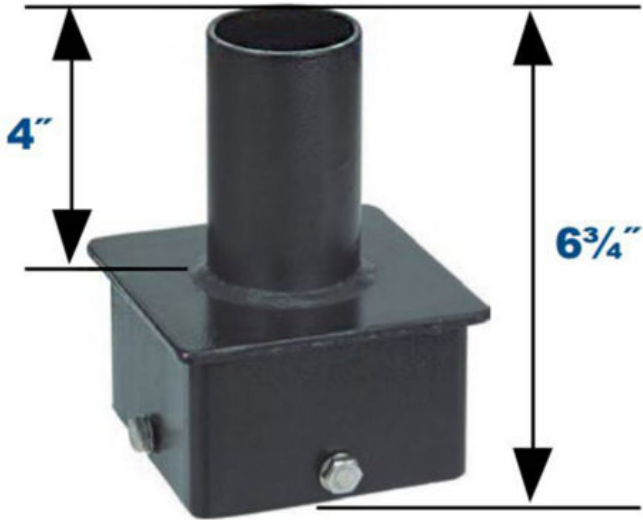


120v-277v



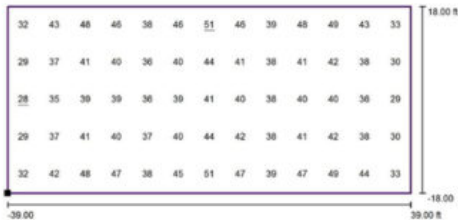
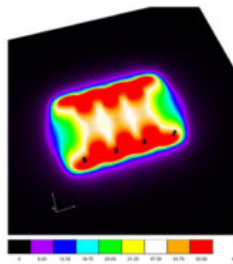
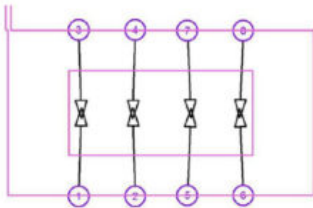
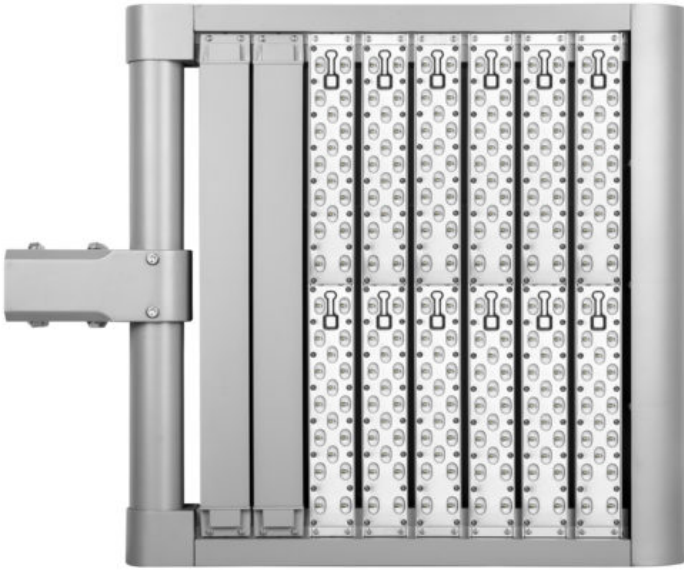
Anchor Bolt Template for 4" Poles





2 3/8" Vertical Tenon





Position of surface in external scene: Marked point: (25.960 ft, 42.039 ft, 0.000 ft)



Grid: 13 x 5 Points

E_{av} [fc]	E_{min} [fc]	E_{max} [fc]	u_0	E_{min} / E_{max}
40	28	51	0.70	0.56

