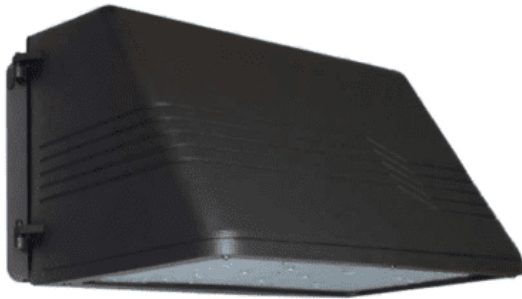


HEZE 54 LED Full Cutoff Wall Pack, EXTREME-LIFE, 120-277v



SKU: AF33XWPC15QF1X50U

Product Tags: [LED](#), [Wall Pack](#)

Product Page:

<https://www.accessfixtures.com/p/heze-54w-led-full-cutoff-wall-pack-extreme-life-120-277v/>

Product Description

The HEZE 54w LED Full Cutoff Wall Pack, Extreme Life, 120-277v is a perfect commercial lighting solution for those who need a durable, long-lasting wall pack.

Full Cutoff: The full cutoff design of the HEZE makes it neighbor, local ordinance, and dark-sky friendly.

Extreme Life: HEZE is L70 rated at 213,000 hours, making it virtually

maintenance-free.

Durable Construction: This HEZE wall pack fixture is made of die-cast aluminum and IP65 rated against water and dust.

Features:

- 54w integrated LEDs - Die cast aluminum housing - 120-277v - Mountable at multiple heights - IP65 rated - Dimmable driver - 80+ CRI - 5,974 lumens - L70 rated life of 213,000 hours - Mounts over a 4" recessed outlet box - Type V wide optics - CSA listed for wet locations, ANSI/UL 1598, 8750 - 14 lbs. - 14.25 x 11.375 x 9.152 in. Options:

Available in textured architectural bronze powdercoat finish over a chromate conversion coating or custom RAL color - [learn more here](#).

Available in 3000K, 4000K and 5000K ([learn more here](#))

- Tempered clear glass lens or tempered prismatic glass lens - Surge protection
- Photocell - Battery back-up [Access Fixtures Warranty](#)

Access Fixtures is proud to assemble high quality, long lasting lighting products which are covered by a 5-year warranty. In accordance with our warranty policy, we will offer repair, replacement, or refund for qualifying claims. Please contact our friendly customer service team, located in Worcester, MA, to address any questions or concerns you may have. We can be reached at 800-468-9925 Monday-Friday 9-5 EST or via email at sales@accessfixtures.com. Click [here](#) to view Access Fixtures' [complete warranty policy](#). Need a Photometric Analysis for Your HEZE 54w LED Full Cutoff

Wall Pack, Extreme Life, 120-277v Project?

A photometric analysis creates a computer simulation of a particular project. No matter what you are lighting, a photometric analysis is an easy way to quantify light levels before purchasing. When a report is generated, a lighting specialist will walk you through it so you know exactly what you will be receiving. Photometrics include average and minimum footcandles, uniformity ratios, spacing, light trespass info, and more. Plus, the cost of the study is refunded back to you when you purchase the fixtures. Call us at **800-468-9925** for more information about ordering a photometric analysis for your project.

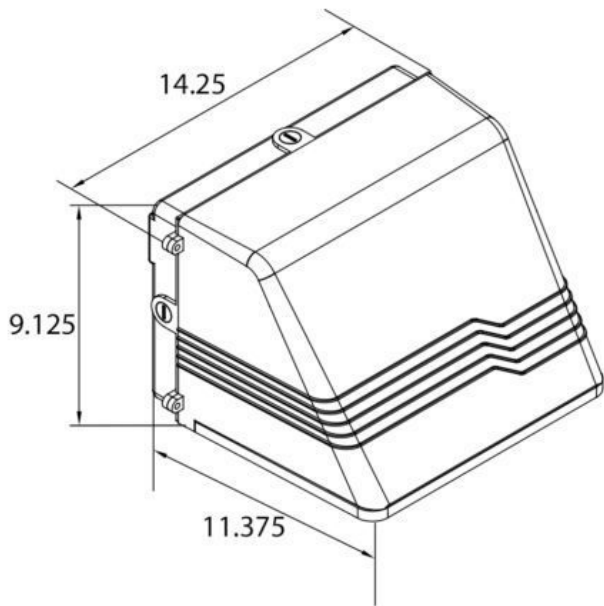
Ready to Order HEZE 54w LED Full Cutoff Wall Pack, Extreme Life, 120-277v or Speak to a Lighting Specialist?

You can place your order online or if you want additional information, give us a call at **800-468-9925**. Our team of friendly, expert high performance lighting specialists are available to provide what you need to purchase fixtures and illuminate your project with confidence.

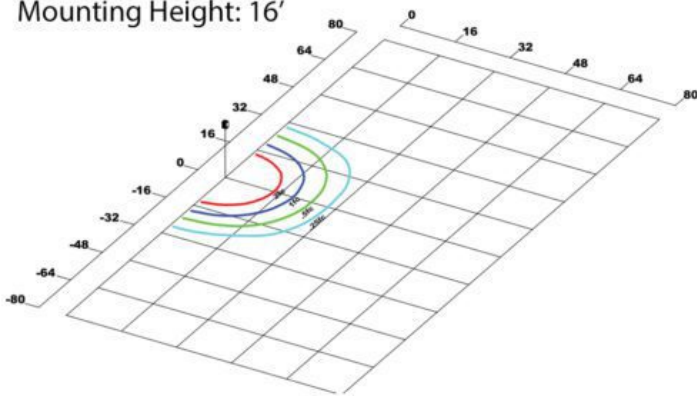
Product Attributes

- Dimensions: 20 × 15 × 10 in
- Weight: 18 lbs
- Availability: Typically ships in 7-10 business days
- Light Source: 4000K - Cool White, 5000K - Bright White
- Available Finishes: Bronze, Custom RAL
- Color Rendering Index (CRI): 80+
- Housing: Gasketed front frame, Nickel plated stainless steel hardware, Die cast aluminum housing
- Lens: Clear flat tempered glass lens, Clear prismatic glass lens
- Light Source Included: LED Array Included
- Light Source Lumens: 5974
- Listings: CSA: Listed for wet locations, IP65
- Mounting: Power supplied via electrical box or 1/2-inch conduit, Includes template for mounting directly over 4-inch electrical box
- Mounting Height: 15 ft.
- Product Family: HEZE
- Rated Life: 213,000 Hours
- System Watts: 54
- Voltage: 120-277v
- Warranty: 5-Year Limited Warranty
- Style: Full Cutoff

Product Gallery



Mounting Height: 16'





**BUY AMERICAN
ACT COMPLIANT**