

## SHOO 14w 590 Amber LED Mini Wall Pack with Photocell, 120-277v



**SKU:** AF33XWP14QF1X13U5KAMBER

**Product Tags:** [LED Amber](#), [Wall Pack](#)

**Product Page:**

<https://www.accessfixtures.com/p/shoo-14w-led-turtle-friendly-wall-pack-with-photo-cell-120-277v/>

### Product Description

The SHOO 14w LED Turtle Friendly Wall Light -Mini Wall Pack with built in Photocell, 120-277v provides widespread, optically controlled light designed to replace HID lighting systems. The forward throw sends light out and forward in a rounded distribution pattern with the goal of increasing light output. This fixture delivers extraordinary light and is ideal for wildlife applications - including lighting

recreational facilities, waterfront pathways and walkways in wet coastal environments.

**Value:** The cost-efficient LED wall pack features high-performance LEDs, L70 rated life of 50,000 hours, and has an operating temperature of -40°C to +40°C; molded prismatic shatter resistant polycarbonate lens that allows light to disperse evenly while maintaining strength and durability.

**Turtle and Wildlife Friendly:** The energy efficient monochromatic amber LEDs are turtle and wildlife friendly. Using 590nm follows most coastal light regulations.

**Photocell:** Built-in photocell automatically detects dusk and dawn and turns your wall pack on or off accordingly - adding extra savings in energy costs!

## Features

The SHOO 14w LED Turtle Friendly Wall Light -Mini Wall Pack with built in Photocell, 120-277 includes:

- Wall pack fixture - Built-in photocell - Die-cast aluminum housing - 120-277v - 14w - 416 lumens - Turtle & Wildlife friendly - Amber 590nm - L70 rated life of 50,000 hours - Operating temperature of -40°C to +40°C - Prismatic shatter resistant polycarbonate glass lens - IP55 rated - CSA Listed for outdoor use in wet locations - Built-in 0-10v dimmable driver - 18.5" x 6.75" x 5.25" - 3 lbs.

## Options

Choice of Finish: Bronze or Custom RAL ([learn more here](#)).

Kelvin Temperature: 3000K or 5000k ([learn more here](#)).

## Mounting

Includes all hardware required for mounting:

- 4-inch recessed outlet box using a cast-in template, or ½" surface conduit access on the bottom of the fixture. [Access Fixtures Warranty](#)

Access Fixtures is proud to assemble high quality, long lasting lighting products which are covered by a 5-year warranty. In accordance with our warranty policy, we will offer repair, replacement, or refund for qualifying claims. Please contact our

friendly customer service team, located in Worcester, MA, to address any questions or concerns you may have. We can be reached at 800-468-9925 Monday-Friday 9-5 EST or via email at [sales@accessfixtures.com](mailto:sales@accessfixtures.com). Click here to view Access Fixtures' [complete warranty policy](#).

Need a Photometric Analysis for Your The SHOO 14w LED Turtle Friendly Wall Light -Mini Wall Pack with built in Photocell, 120-277 Project?

A photometric analysis creates a computer simulation of a particular project. No matter what you are lighting, a photometric analysis is an easy way to quantify light levels before purchasing. When a report is generated, a lighting specialist will walk you through it so you know exactly what you will be receiving. Photometrics include average and minimum footcandles, uniformity ratios, spacing, light trespass info, and more. Plus, the cost of the study is refunded back to you when you purchase the fixtures. Call us at **800-468-9925** for more information about ordering a photometric analysis for your project.

Ready to Order The SHOO 14w LED Turtle Friendly Wall Light -Mini Wall Pack with built in Photocell, 120-277 or Speak to a Lighting Specialist?

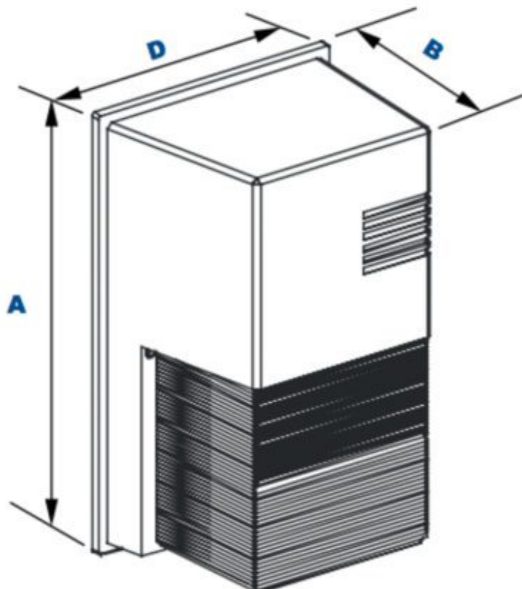
You can place your order online or if you want additional information, give us a call at **800-468-9925**. Our team of friendly, expert high performance lighting specialists are available to provide what you need to purchase fixtures and illuminate your project with confidence.

## Product Attributes

- Dimensions: 19 &times; 8 &times; 8 in
- Weight: 5 lbs
- Availability: Typically ships in 6-8 weeks.
- Available Finishes: Bronze, Custom RAL
- Housing: Die cast aluminum housing
- Lens: Molded prismatic polycarbonate lens and front housing
- Light Source: 590nm Amber
- Light Source Included: LED Array Included
- Light Source Lumens: 416

- Listings: IP55
- Mounting: Mounts over 4-inch electrical box
- Product Family: SHOO
- Rated Life: 50,000 Hours
- System Watts: 14
- Voltage: 120-277v
- Warranty: 5-Year Limited Warranty
- Style: Forward Throw

## Product Gallery





**BUY AMERICAN  
ACT COMPLIANT**